

DDFA3 High Pressure 3 Way Flow Diverters

500 BAR Rated

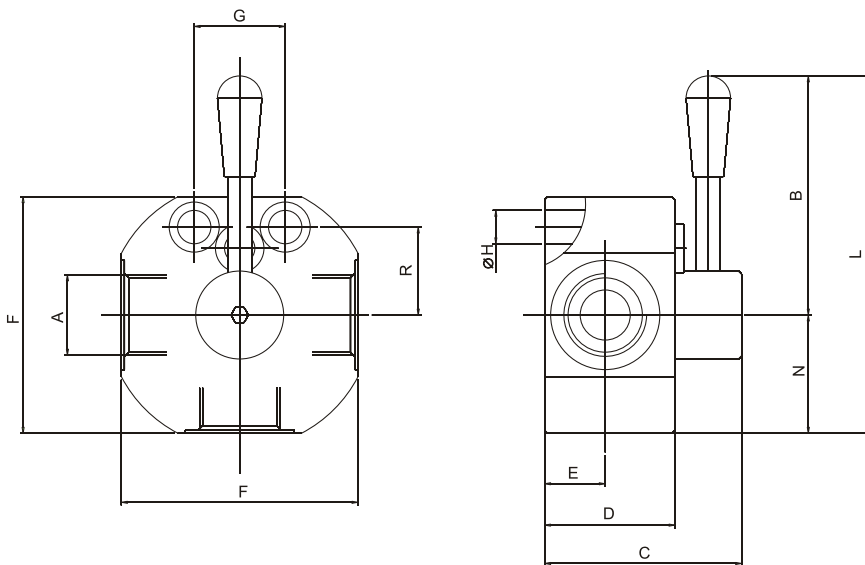
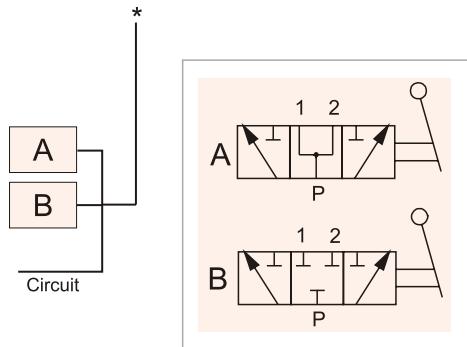
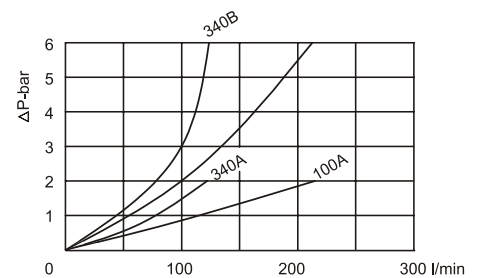
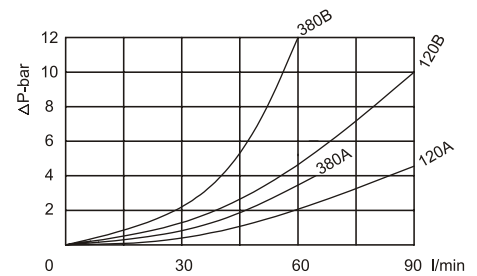
DDFA3 high pressure 3 way flow diverters are employed to reverse the oil flow



HYDRAULIC VALVES

Article no.	Size BSP	Max Flow l/min	Price £	Price €
DDFA3140*	1/4"	40	£48.30	€50.70
DDFA3380*	3/8"	60	£48.30	€50.70
DDFA3120*	1/2"	90	£50.50	€53.00
DDFA3340*	3/4"	120	£60.30	€63.30
DDFA3100*	1"	180	£84.60	€88.90

Pressure Drop Graph



Dimensions (mm)

Code	A	B	C	D	E	F	G	H	L	R
DDFA3140	BSPP 1/4	80	50	30	15	60	26	8.5	110	22
DDFA3380	BSPP 3/8	80	50	30	15	60	26	8.5	110	22
DDFA3120	BSPP 1/2	80	50	30	15	60	26	8.5	110	22
DDFA3340	BSPP 3/4	102	67	45	22.5	80	32	11	142	26
DDFA3100	BSPP 1	102	67	45	22.5	85	32	11	145	31.5