

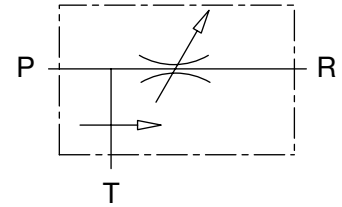
3 Way Flow Control Valves - VPT

250 BAR Rated
Pressure Compensated, Exceeding Flow to Tank

Technical data

Mineral oil	ISO 6743/4 / DIN 51524
Fluid viscosity	10-500 mm ² /s / 6 to 420 cSt
Max contamination index with filter	ISO 4406:1999 / Classe 19/17/14
Fluid temperature	-20°C +80°C
Ambient temperature	-20°C +50°C

It is necessary a filter use to protect the valve (advised filtration 15 micron)

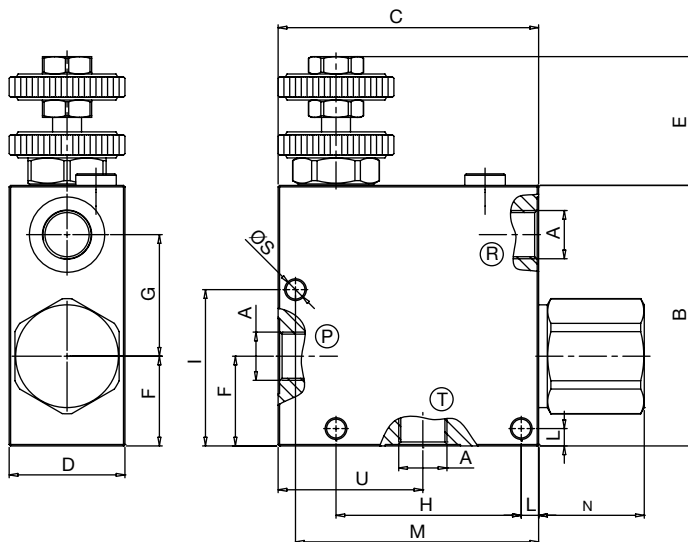
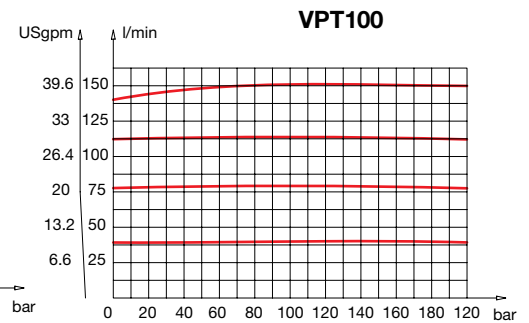
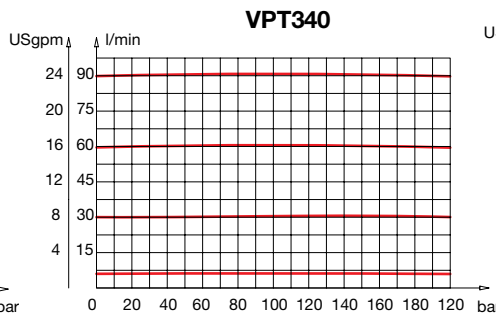
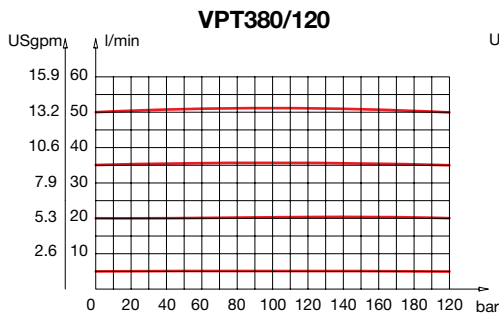


Ordering code

VPT - X - Y

X	Size	Y	
380	BSPP 3/8	V	Hand Wheel
120	BSPP 1/2		
340	BSPP 3/8		
100	BSPP 1		

Pressure Drop Graphs



Dimensions (mm)

Code	A	Max Flow l/min	Max pressure bar (PSI)	B	C	D	E	F	G	H	I	L	M	N	S	U	Weight kg
VPT380	BSPP 3/8	50	250 (3625)	90	90	40	43.5	31	42	64	54	6	78	36.5	6.5	50	1.15
VPT120	BSPP 1/2	90	250 (3625)	90	90	40	43.5	31	42	64	54	6	78	36.5	6.5	50	1.15
VPT340	BSPP 3/4	150	250 (3625)	110	110	50	45.5	35	50	88	63.5	8	94	34.7	8.5	66	2.10
VPT100	BSPP 1	240	250 (3625)	140	130	70	49.5	47	63	/	90	10	110	20	10.5	70	3.7