



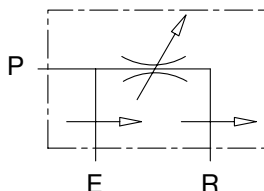
3 Way Flow Control Valves - VPP

250 BAR Rated
Pressure Compensated, Exceeding Flow to Pressure

Technical data

Mineral oil	ISO 6743/4 / DIN 51524
Fluid viscosity	10-500 mm ² /s / 6 to 420 cSt
Max contamination index with filter	ISO 4406:1999 / Classe 19/17/14
Fluid temperature	-20°C +80°C
Ambient temperature	-20°C +50°C

It is necessary a filter use to protect the valve (advised filtration 15 micron)



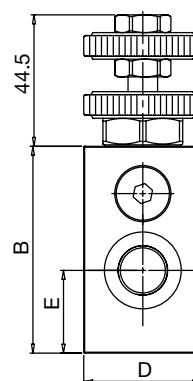
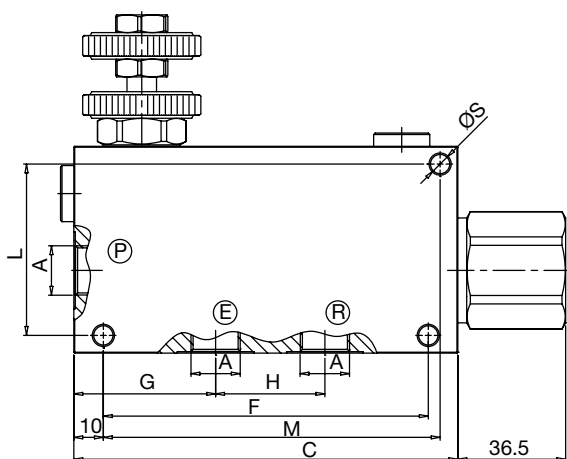
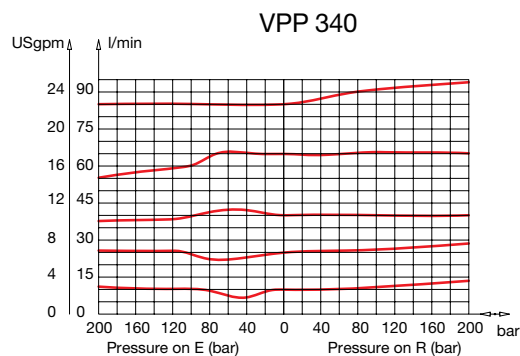
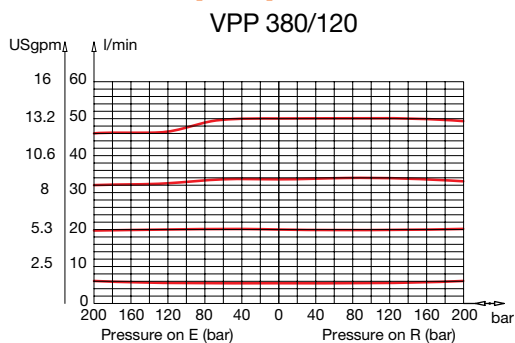
Article no.	Size	Price £	Price €
VPP380V	3/8"	£233.80	€245.50
VPP120V	1/2"	£233.80	€245.50
VPP340V	3/4"	£348.50	€365.90

Ordering code

VPP - X - Y

X	Size	Y	
380	BSPP 3/8	V	Hand Wheel
120	BSPP 1/2		
340	BSPP 3/8		

Pressure Drop Graphs



Dimensions (mm)

Code	A	Max Flow l/min	Max pressure bar (PSI)	B	C	D	E	F	G	H	L	M	S	Weight kg
VPP380	BSPP 3/8	50	250 (3625)	90	90	40	43.5	31	42	64	6	78	6.5	1.15
VPP120	BSPP 1/2	90	250 (3625)	90	90	40	43.5	31	42	64	6	78	6.5	1.15
VPP340	BSPP 3/4	150	250 (3625)	110	110	50	45.5	35	50	88	8	94	8.5	2.10