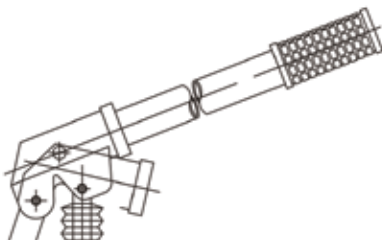
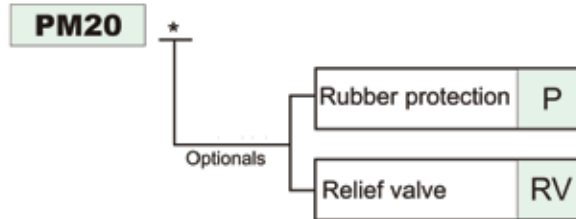


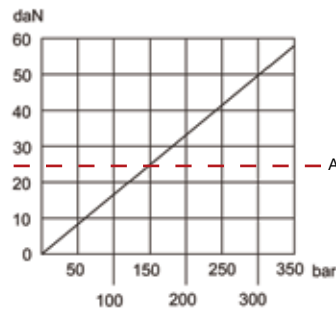
## PM20 – Lever Operated Hand Pump

Article no.	Max Pressure BAR	Price £	Price €
<b>PM20</b>	150	<b>£150.70</b>	<b>€158.30</b>
<b>Rubber Protection</b>		<b>£6.90</b>	<b>€7.30</b>
<b>Relief Valve Option</b>		<b>£13.80</b>	<b>€14.50</b>

### Ordering Code

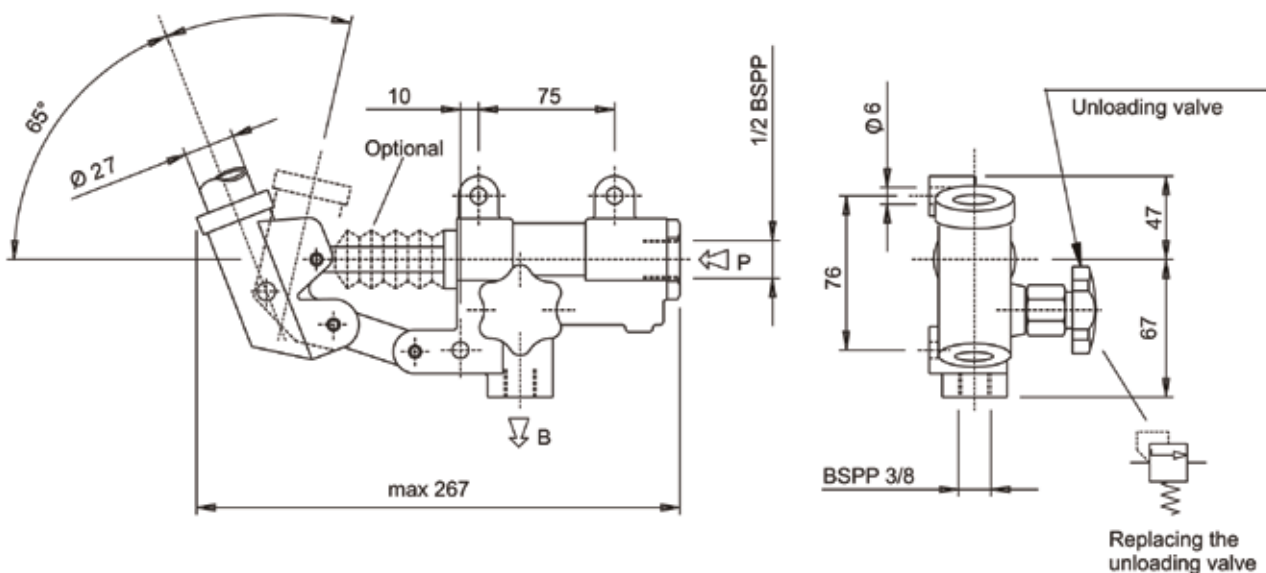


Lever = 600mm



Effort (daN) operating on the end of the lever  
Average man will generate 25 daN force

### Dimensions



### Features

Code	Displacement	Max working pressure	Weight kg
PM20	20cm <sup>3</sup>	150 BAR	4.1