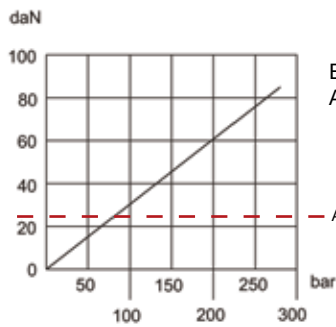
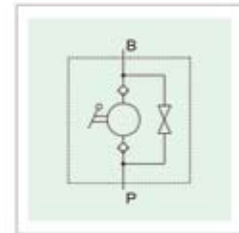
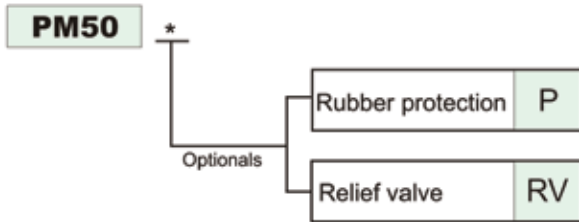


# PM50 – Lever Operated Hand Pump

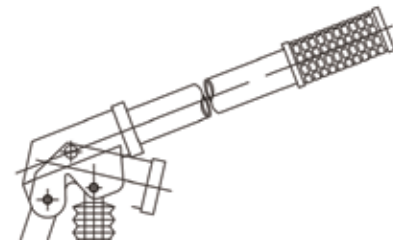
Article no.	Max Pressure BAR	Price £	Price €
<b>PM50</b>	100	<b>£168.70</b>	<b>€177.10</b>
<b>Rubber Protection</b>		<b>£6.90</b>	<b>€7.30</b>
<b>Relief Valve Option</b>		<b>£13.80</b>	<b>€14.50</b>



## Ordering Code

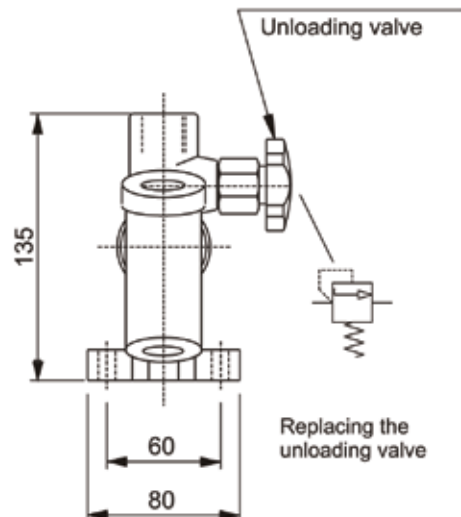
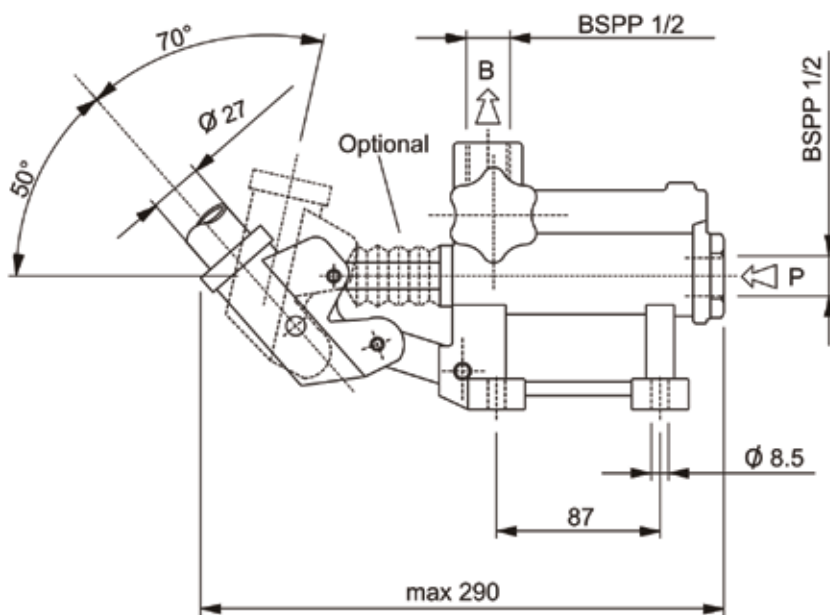


Effort (daN) operating on the end of the lever  
Average man will generate 25 daN force



Lever = 600mm

## Dimensions



## Features

Code	Displacement	Max working pressure	Weight kg
PM50	50cm <sup>3</sup>	100 BAR	5.2