

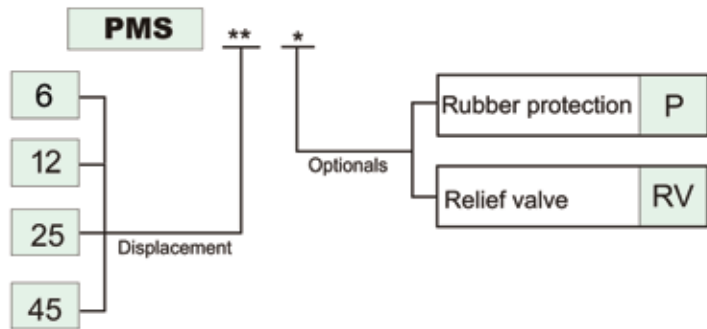
PMS – Lever Operated Hand Pump

Article no.	Max Pressure BAR	Price £	Price €
PMS6	450	£152.10	€159.70
PMS12	250	£154.90	€162.60
PMS25	130	£157.60	€165.50
PMS45	80	£160.40	€168.40
Rubber Protection		£6.90	€7.30
Relief Valve Option		£13.80	€14.50

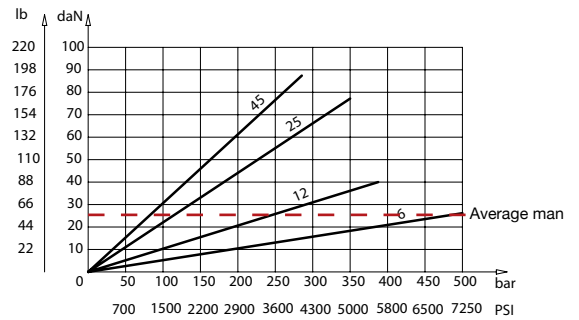


HAND PUMPS

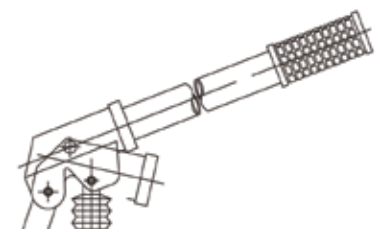
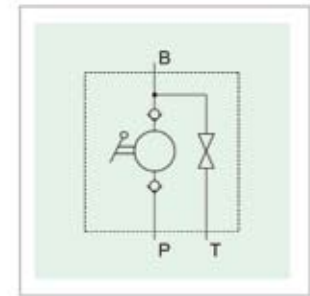
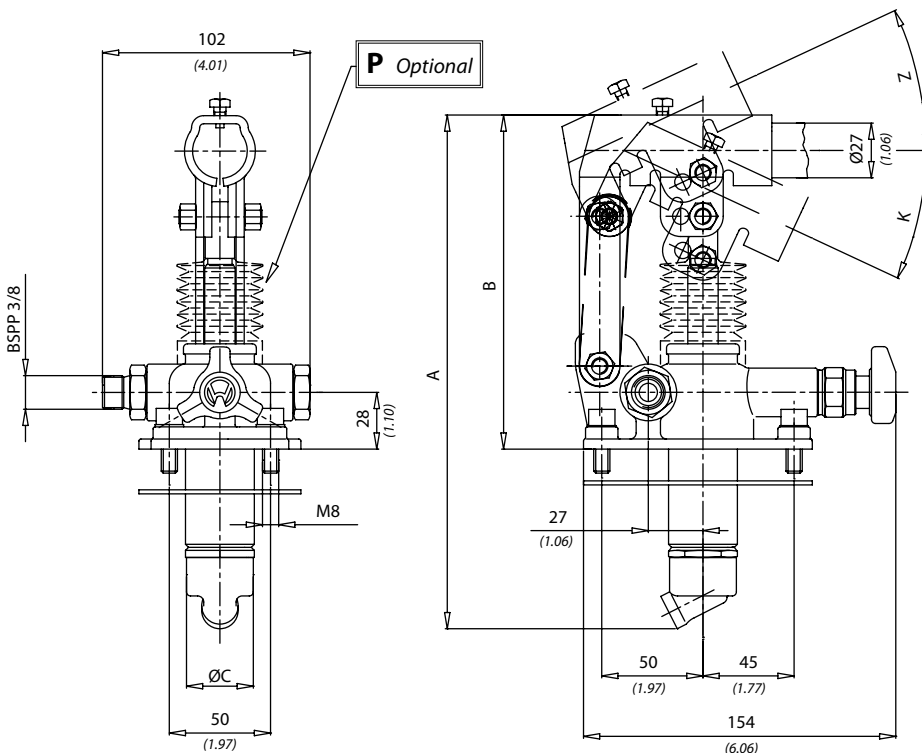
Ordering Code



Effort (daN) operating on the end of the lever
Average man will generate 25 daN force



Dimensions



Lever = 600mm
Oil flow in both directions of lever action.

mm
Inches

Y	Displacement	K	Z	A	B	C	Weight Kg
6	6 cm ³ (0.36 in ³)	31°	26°	253 (9.96)	166 (6.53)	34 (1.33)	3.9
12	12 cm ³ (0.73 in ³)	31°	35°	273 (10.74)	172 (6.77)	40 (1.57)	
25	25 cm ³ (1.52 in ³)	30°	25°	283 (11.14)			
45	45 cm ³ (2.75 in ³)	33°	35°				