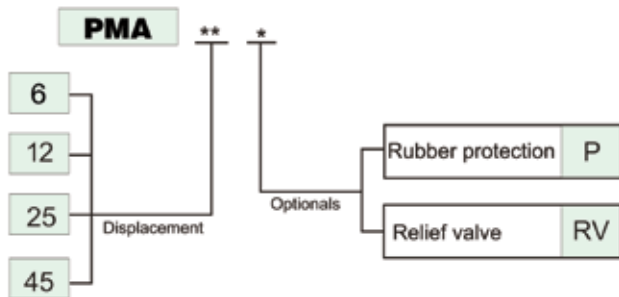


PMA – Lever Operated Hand Pump

Article no.	Max Pressure BAR	Price £	Price €
PMA06	450	£172.90	€181.50
PMA12	250	£175.60	€184.40
PMA25	130	£175.60	€184.40
PMA45	80	£181.20	€190.20
Rubber Protection		£6.90	€7.30
Relief Valve Option		£13.80	€14.50

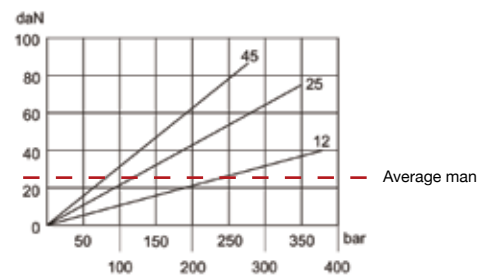
Price is without tank – order tanks separately

Ordering Code

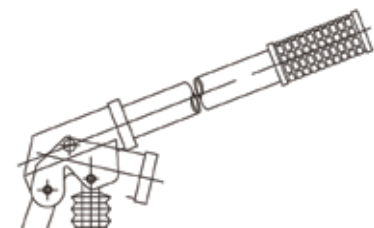
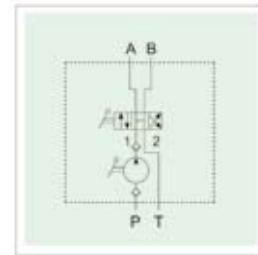
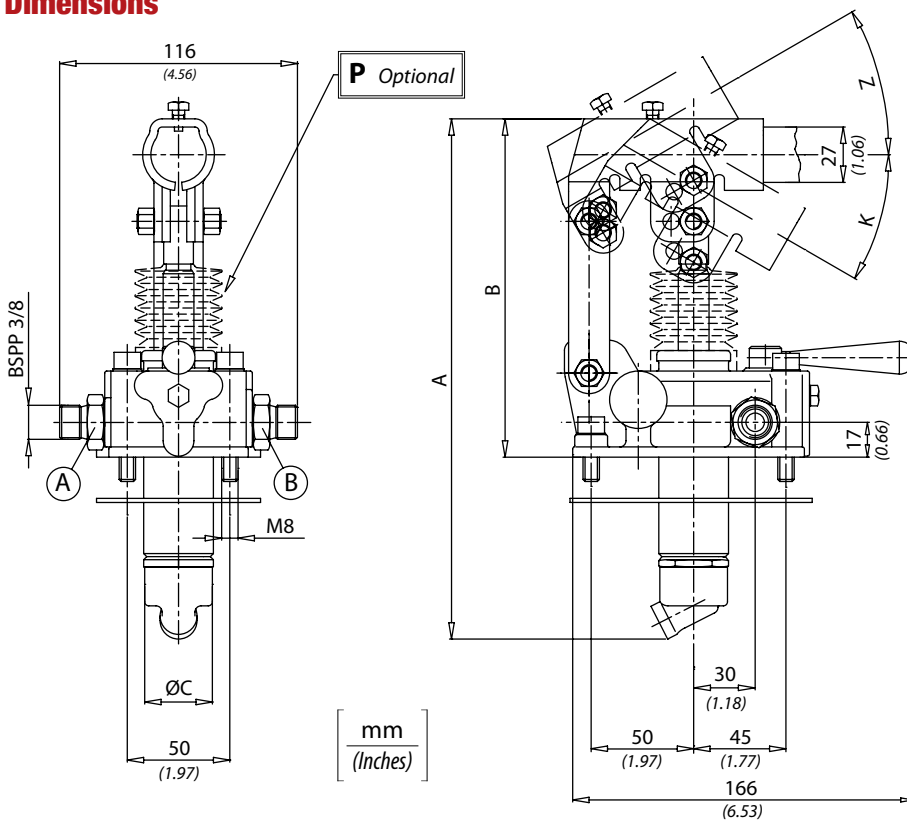


HAND PUMPS

Effort (daN) operating on the end of the lever
Average man will generate 25 daN force



Dimensions



Lever = 600mm

With 4 way, 3 position (open centre) flow diverter.

Oil flow in both directions of lever action.

Y	Displacement	K	Z	A	B	C	Weight Kg
6	6 cm ³ (0.36 in ³)	31°	26°	253 (9.96)	166 (6.53)	34 (1.33)	4,4
12	12 cm ³ (0.73 in ³)	31°	35°				
25	25 cm ³ (1.52 in ³)	30°	25°	273 (10.74)	172 (6.77)	40 (1.57)	
45	45 cm ³ (2.75 in ³)	33°	35°	283 (11.14)			