

HQ-008 – HQ120

Specifications

Enclosure	Weatherproof IP67 (IP68 optional)
Power supply	110/220v 50/60Hz, 24vAC/DC, 380/440V 3 Phase
Duty cycle (On/Off Duty)	S4, 70% Standard, 100% for max 30 mins
Motor	Squirrel caged induction motor
Limit switches	4 x SPDT, 250V AC 10A
Torque switches	2 x SPDT, 250V AC 10A (HQ015 – HQ120)
Space heater	20W (110/220V AC) Anti condensation
Conduit entries	2 x M25 (PG13.5 or 1/2" NPT option)
Travel angle	90° ± 5°
Ambient temperature	-20°C to +70°C
External coating	Dry power, Polyester

Option Specifications

Potentiometer Unit	1K – 10K
Proportional Control Unit	In/Out: 0-10V DC, 4-20mA
Current Position Transmitter	Output 4-20mA
Local Control Unit	Remote/Open/Stop/Close switch
Explosion Proof Enclosure	ATEX II 2G Eexd IIb T4
Fire Proof Actuator	250°C/150 min

On Request

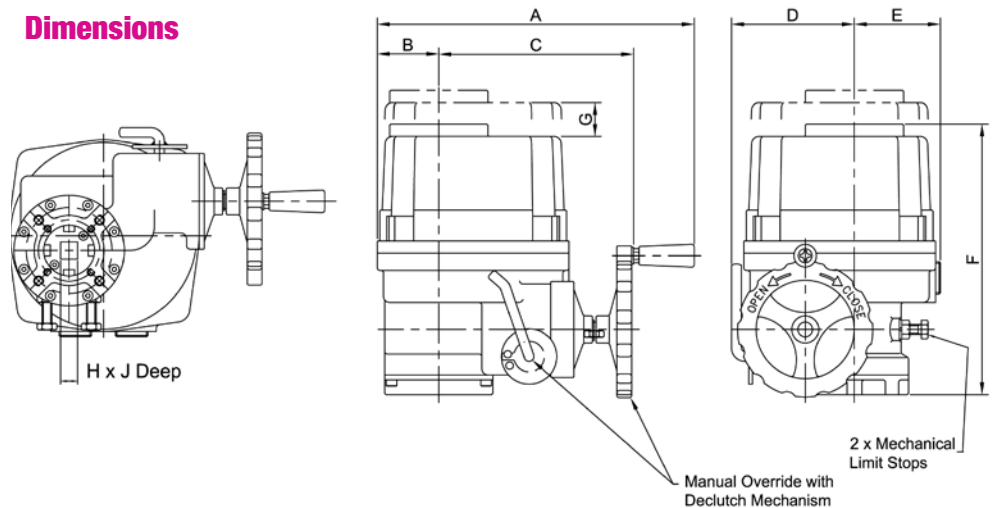
- With proportional control option
- With battery back-up for failsafe facility

Performance

Torque Nm	Speed 90° 50/60Hz	Current (A) MAX			Weight Kg	MAX SQ. Drive	Mounting Details	Article no.	Price £	Price €
		110/1/50	220/1/50	380/3/50						
80	16/13	1.10	0.55	N/A	7.4	17	F07 14mm STAR	HQ008	£886.40	€1,108.00
150	25/21	1.65	0.88	0.31	16.6	19	F07 / F10 17mm STAR	HQ015	£1,113.60	€1,392.00
200	25/21	1.67	0.89	0.31	16.6	19		HQ020	£1,280.00	€1,600.00
300	31/26	1.86	0.92	0.35	22	30	F10 / F12 22mm STAR	HQ030	£1,430.40	€1,788.00
500	31/26	3.62	1.58	0.59	23	30		HQ050	£1,603.20	€2,004.00
600	31/26	3.62	1.62	0.60	23	30		HQ060	£1,788.80	€2,236.00
800	34/28	4.10	2.20	0.85	29	40	F12 / F14 27mm STAR	HQ080	£2,073.60	€2,592.00
1200	34/28	4.20	2.35	0.87	29	40		HQ120	£2,448.00	€3,060.00

Voltages suffix with
 A = 240V
 B = 110V
 D = 24V

Dimensions



MODEL	BASE	A	B	C	D	E	F	G	H*	J
HQ008	F07	258	50	157	100	70	235	120	14	35
HQ015	F07/F10	338	73	200	142	87	268	160	17	45
HQ020	F07/F10	338	73	200	142	87	268	160	17	45
HQ030	F10/F12	368	82	221	160	99	290	180	22	52
HQ050	F10/F12	368	82	221	160	99	290	180	22	52
HQ060	F10/F12	368	82	221	160	99	290	180	22	52
HQ080	F12/F14	410	103	242	186	111	330	210	36	60
HQ120	F12/F14	410	103	242	186	111	330	210	36	60

* CAN BE MACHINED TO SUIT MOST VALVE STEMS (ON REQUEST)