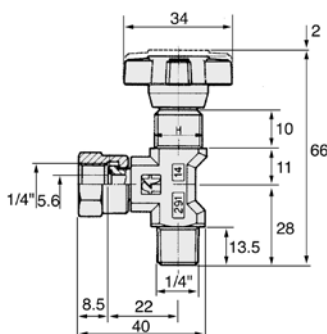




**Features**

- Swivel Gauge Thread 1/4" BSP Parallel with Nitril 'O' Ring Seal
- Male System Thread BSP Taper

## Gauge Isolator Valves



### Angled Gauge Isolator Needle Valve with Male Taper Thread Type FT 291-14

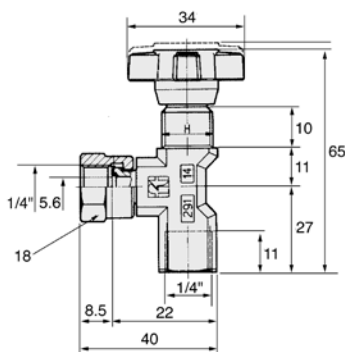
Maximum Pressure 400 BAR/6000 PSI  
Carbon Steel

Article no.	Size	Price £	Price €
206005	1/4"	£16.50	€18.20
<b>Panel Mounting Nut</b>			
207014		£2.40	€2.60



**Features**

- Swivel Gauge Thread 1/4" BSP Parallel with Nitril 'O' Ring Seal
- Female System Thread BSP Taper



### Angled Gauge Isolator Needle Valve with Female Parallel Thread Type FT 291-01

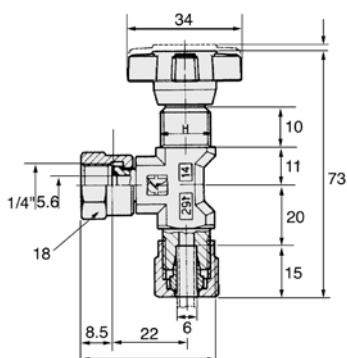
Maximum Pressure 400 BAR/6000 PSI  
Carbon Steel

Article no.	Size	Price £	Price €
206006	1/4"	£25.80	€28.30
<b>Panel Mounting Nut</b>			
207014		£2.40	€2.60



**Features**

- Swivel Gauge Thread 1/4" BSP Parallel with Nitril 'O' Ring Seal
- DIN 2353 Compression System Connection Suit 6S Tube



### Angled Gauge Isolator Needle Valve with 6mm Compression Connection Type FT 291-04

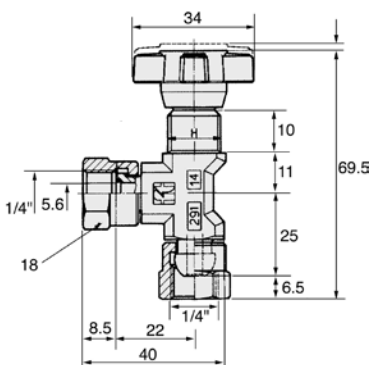
Maximum Pressure 400 BAR/6000 PSI  
Carbon Steel

Article no.	Size	Price £	Price €
206007	1/4"	£34.10	€37.50
<b>Panel Mounting Nut</b>			
207014		£2.40	€2.60



**Features**

- Swivel Gauge Thread 1/4" BSP Parallel with Nitril 'O' Ring Seal
- Swivel BSP Female System Connection (with 60° Cone)



### Angled Gauge Isolator Needle Valve with Swivel Female Connection Type FT 291-05

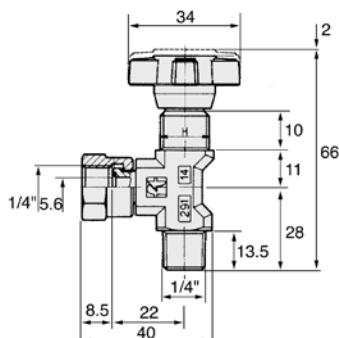
Maximum Pressure 400 BAR/6000 PSI  
Carbon Steel

Article no.	Size	Price £	Price €
206008	1/4"	£33.20	€36.50
<b>Panel Mounting Nut</b>			
207014		£2.40	€2.60



**Features**

- Swivel Gauge Thread 1/4" BSP Parallel with Nitril 'O' Ring Seal
- Male System Thread BSP Taper



### Angled Gauge Isolator Needle Valve Type FT 2291-14

Maximum Pressure 400 BAR/6000 PSI  
Stainless Steel (316)

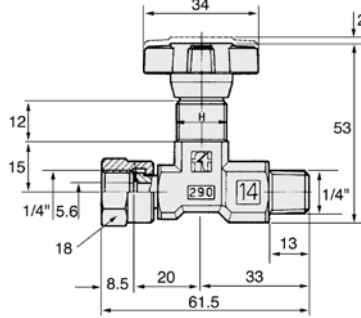
Article no.	Size	Price £	Price €
94087	1/4"	£120.60	€132.70
<b>Panel Mounting Nut</b>			
207014		£2.40	€2.60

# Gauge Isolator Valves

## Inline Gauge Isolator Needle Valve with Male Taper Thread Type FT 290-14

Maximum Pressure 400 BAR/6000 PSI  
Carbon Steel

Article no.	Size	Price £	Price €
206001	1/4"	£16.50	€18.20
306012	1/2"	£58.90	€64.80
<b>Panel Mounting Nut</b>			
207014		£2.40	€2.60



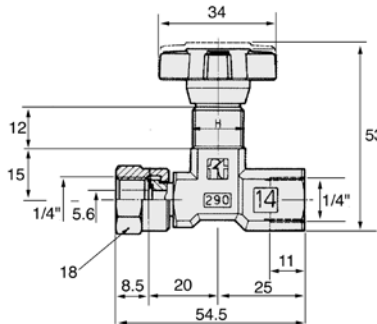
### Features

- Swivel Gauge Thread 1/4" BSP Parallel with Nitril 'O' Ring Seal
- Male System Thread BSP Taper

## Inline Gauge Isolator Needle Valve with Female Parallel Thread Type FT 290-01

Maximum Pressure 400 BAR/6000 PSI  
Carbon Steel

Article no.	Size	Price £	Price €
206002	1/4"	£25.80	€28.30
<b>Panel Mounting Nut</b>			
207014		£2.40	€2.60



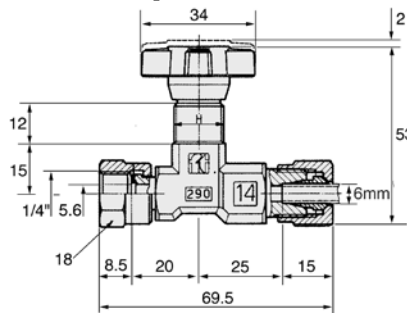
### Features

- Swivel Gauge Thread 1/4" BSP Parallel with Nitril 'O' Ring Seal
- Female System Thread BSP Taper

## Inline Gauge Isolator Needle Valve with 6mm Compression Connection Type FT 290-04

Maximum Pressure 400 BAR/6000 PSI  
Carbon Steel

Article no.	Size	Price £	Price €
206003	1/4"	£34.10	€37.50
<b>Panel Mounting Nut</b>			
207014		£2.40	€2.60



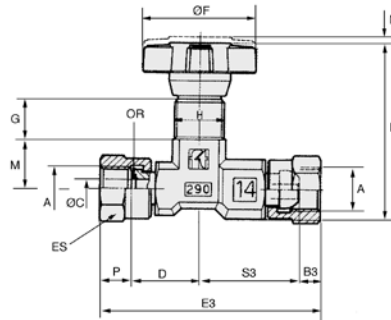
### Features

- Swivel Gauge Thread 1/4" BSP Parallel with Nitril 'O' Ring Seal
- DIN 2353 Compression System Connection Suit 6S Tube

## Inline Gauge Isolator Needle Valve with Swivel Female Connection Type FT 290-05

Maximum Pressure 400 BAR/6000 PSI  
Carbon Steel

Article no.	Size	Price £	Price €
206004	1/4"	£33.20	€36.50
<b>Panel Mounting Nut</b>			
207014		£2.40	€2.60



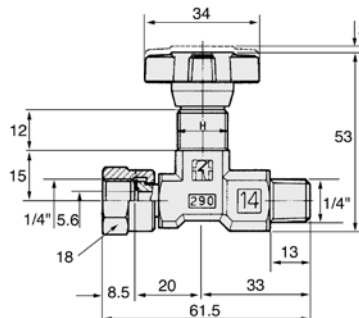
### Features

- Swivel Gauge Thread 1/4" BSP Parallel with Nitril 'O' Ring Seal
- Swivel BSP Female System Connection (with 60° Cone)

## Inline Gauge Isolator Needle Valve Stainless Steel (316) Type FT 2290

Maximum Pressure 400 BAR/6000 PSI  
Stainless Steel (316)

Article no.	Size	Price £	Price €
94086	1/4"	£120.60	€132.70
940862	1/2"	£229.00	€251.90



### Features

- Swivel Gauge Thread 1/4" BSP Parallel with Nitril 'O' Ring Seal
- Male System Thread BSP Taper