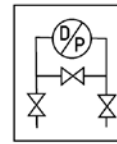
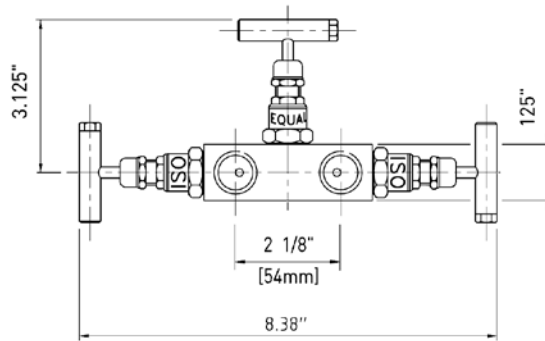


Three Valve Manifolds

Y33 Type

Remote mounting pipe to pipe.
 Weight. 1.5kg
 Width. 1.25"

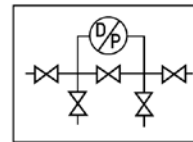
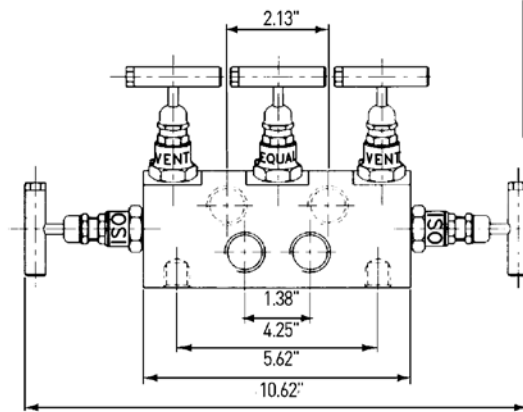


INSTRUMENTATION

Five Valve Manifolds

Y54 Type

Remote mounting pipe to pipe.
 Weight. 2.3kg



We can also offer double block and bleed valves and manifolds