

Pressure Gauge Adaptors for Direct Mount onto Test Point

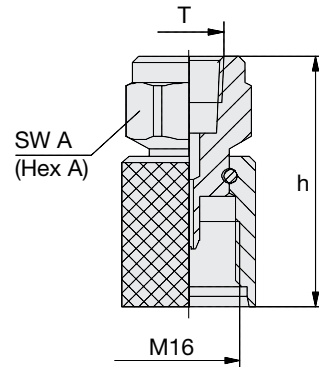
630 BAR Rated

Article no.	T	h	SW A	Price £	Price €
20.21.33	G1/4"	41	19	£12.70	€16.50
20.21.34	G1/2"	51	27	£18.90	€24.50
20.21.43	1/4" NPT	41	19	£23.90	€31.10
20.21.44	1/2" NPT	51	27	£26.40	€34.40

Stainless Steel - Available on request

Materials

Body	Steel 316 Stainless Steel - On Request
Seal	NITRIL - Others on Request
Temp. Range	-30 to +100°C



Pressure Gauge Adaptors for Monitoring Hose

630 BAR Rated

Article no.	T	h	SW A	Price £	Price €
20.20.33	G1/4"	54	19	£10.60	€13.70
20.20.34	G1/2"	64	27	£20.00	€26.00
20.20.43	1/4" NPT	54	19	£16.90	€21.90
20.20.44	1/2" NPT	64	27	£20.00	€26.00

Materials

Body	Steel 316 Stainless Steel - On Request
Seal	NITRIL - Others on Request
Temp. Range	-30 TO +100°C

