



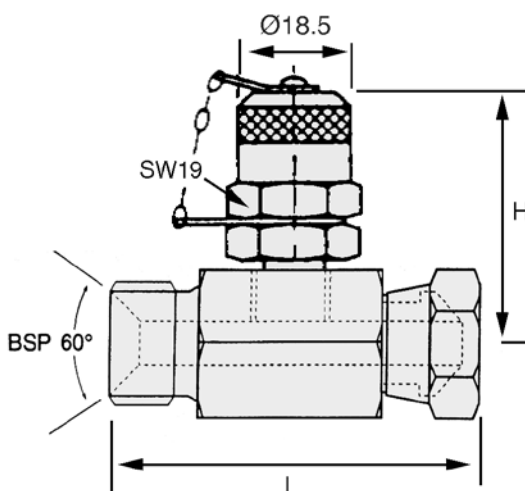
## Inline Pressure Test Points BSP Male x Female

### Test Point Connection M16x2 400 BAR Rated

Article no.	Size	PN – BAR	Price £	Price €
340985	1/4"	400	£14.60	€17.60
340986	3/8"	400	£14.90	€17.90
340987	1/2"	400	£15.30	€18.40
340988	3/4"	400	£19.40	€23.30
340989	1"	400	£21.80	€26.10

### Materials

Body	Steel
Seal	NITRIL - Others on Request
Temp. Range	-30 to +100°C



### Dimensions

	L	H
1/4"	50	45
3/8"	53	49
1/2"	60	50
3/4"	64	53
1"	66	58