

Test Point with "DIN 2353" Compression Connection

Light Series / Heavy Series

Test Point Connection M16x2

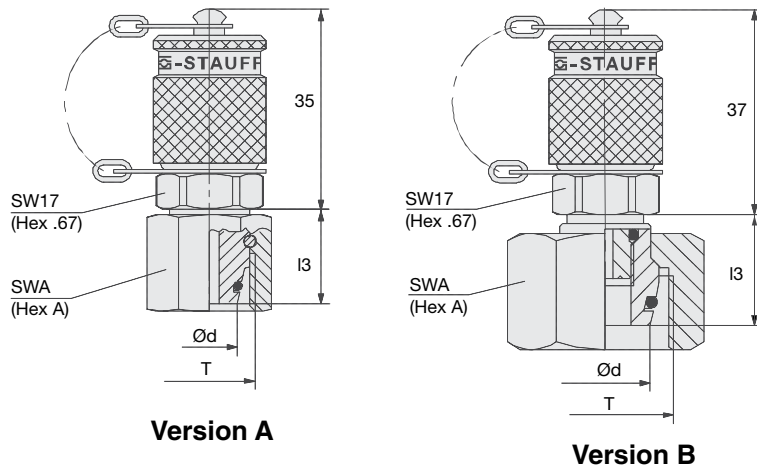
160 - 630 BAR Rated



TEST POINTS

Materials

Body Steel
 316 Stainless Steel - On Request
 Seal NITRIL - Others On Request
 Temp. Range -30 to +100°C



Light Series

TUBE O.D.	T	l3	SW A	Version	PN BAR	Article no.	Price £	Price €
6	M12 x 1.5	15.5	14	A	315	20.51.06	£19.70	€25.60
8	M14 x 1.5	15.5	17	A	315	20.51.08	£14.80	€19.20
10	M16 x 1.5	16.5	19	A	315	20.51.10	£14.80	€19.20
12	M18 x 1.5	17.5	22	A	315	20.51.12	£15.60	€20.30
15	M22 x 1.5	21	27	B	315	20.51.15	£20.60	€26.80
18	M26 x 1.5	19.5	32	B	315	20.51.18	£23.30	€30.30
22	M30 x 2	20.5	36	B	160	20.51.22	£27.20	€35.40
28	M36 x 2	25	41	B	160	20.51.28	£32.30	€42.00
35	M45 x 2	30	50	B	160	20.51.35	£34.20	€44.50
42	M52 x 2	31	60	B	160	20.51.42	£35.10	€45.60

Heavy Series

TUBE O.D.	T	l3	SW A	Version	PN BAR	Article no.	Price £	Price €
6	M14 x 1.5	14.5	17	A	630	20.52.06	£19.70	€25.60
8	M16 x 1.5	16.5	19	A	630	20.52.08	£15.90	€20.60
10	M18 x 1.5	16.5	22	A	630	20.52.10	£21.90	€28.50
12	M20 x 1.5	17.5	24	A	630	20.52.12	£17.10	€22.30
14	M22 x 1.5	19.5	27	B	630	20.52.14	£21.60	€28.00
16	M24 x 1.5	18	30	B	400	20.52.16	£24.50	€31.90
20	M30 x 2	24	36	B	400	20.52.20	£30.50	€39.60
25	M36 x 2	26	46	B	400	20.52.25	£32.70	€42.50
30	M42 x 2	30	50	B	400	20.52.30	£34.70	€45.10
38	M52 x 2	34	60	B	315	20.52.38	£36.30	€47.20