

# Electrically Actuated Stainless Steel Ball Valve

**1,000 PSI Rated**

Article no.	Size	Actuator Size	Price £	Price €
<b>399001*</b>	1/4"	HQ005	<b>£409.50</b>	<b>€511.90</b>
<b>399002*</b>	3/8"	HQ005	<b>£409.50</b>	<b>€511.90</b>
<b>399003*</b>	1/2"	HQ005	<b>£409.50</b>	<b>€511.90</b>
<b>399004*</b>	3/4"	HQ005	<b>£415.30</b>	<b>€519.20</b>
<b>399005*</b>	1"	HQ005	<b>£437.70</b>	<b>€547.10</b>
<b>399006*</b>	1 1/4"	HQ005	<b>£455.60</b>	<b>€569.50</b>
<b>399007*</b>	1 1/2"	HQ005	<b>£522.60</b>	<b>€653.20</b>
<b>399008*</b>	2"	HQ005	<b>£565.30</b>	<b>€706.70</b>
<b>399009*</b>	2 1/2"	HQ006	<b>£912.00</b>	<b>€1,140.00</b>
<b>399010*</b>	3"	HQ008	<b>£1,376.50</b>	<b>€1,720.60</b>

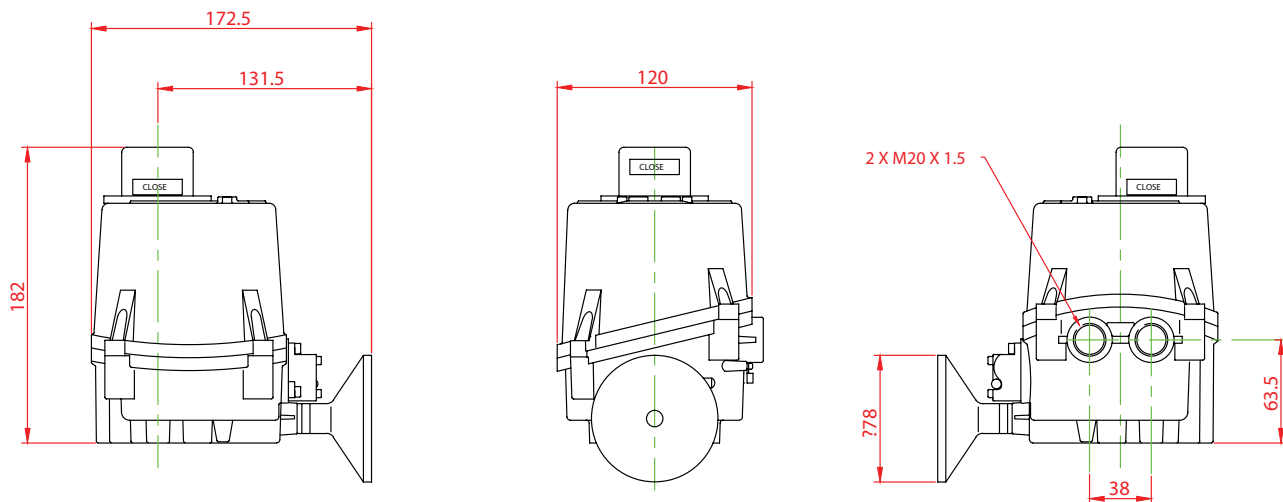
\* Suffix with:  
A = 220v AC  
B = 110v AC  
D = 24v DC  
Others on request



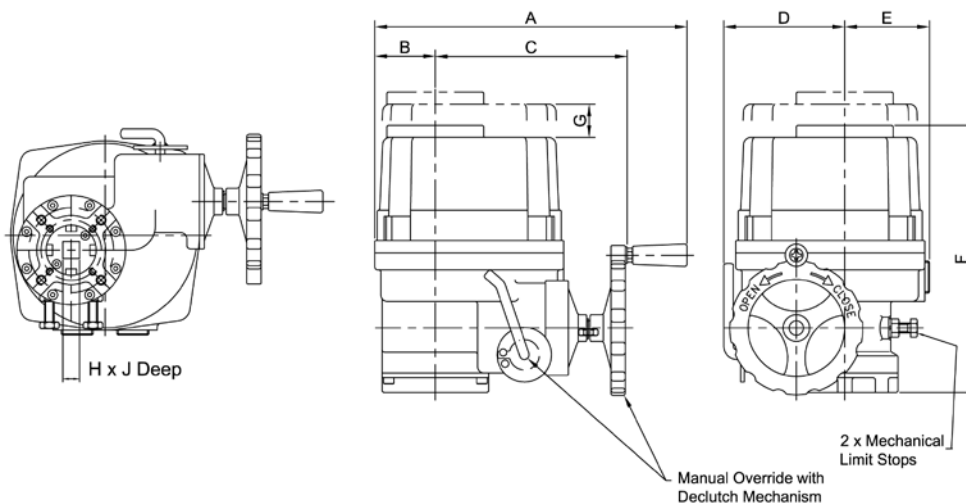
## Materials

Body	CF8M - 316 S/S
Ball	316 S/S
Stem Seal	PTFE
Ball Seal	PTFE
Temp. Range	+70°C*

## Dimensions (mm) - HQ005 Actuator



## Dimensions (mm) - HQ008 Actuator



Model	Base	A	B	C	D	E	F	G	H*	J
<b>HQ008</b>	F07	258	50	157	100	70	235	120	14	35

\* CAN BE MACHINED TO SUIT MOST VALVE STEMS (ON REQUEST)