

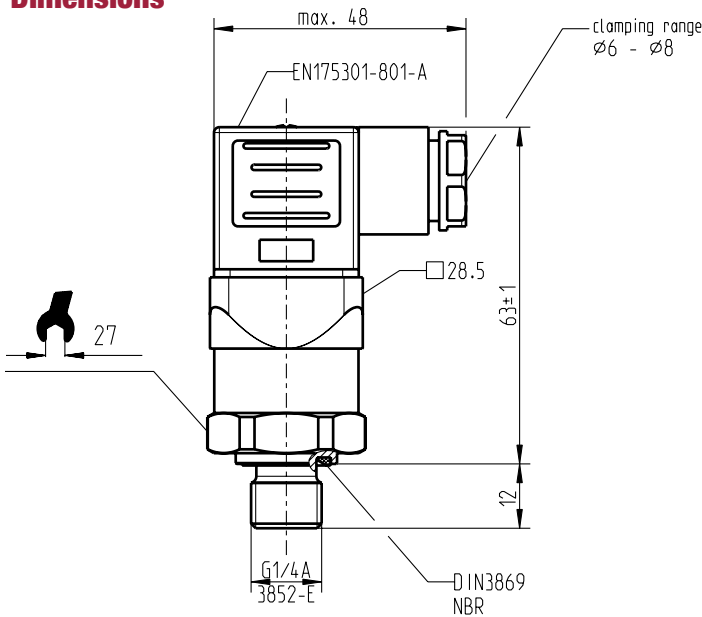


A-10 Pressure Transmitters

Up to 600 BAR Rated



Dimensions



Wetted Parts	Stainless Steel
Accuracy	0.6% Linearity
Power Supply	8 - 30 Vdc
Output Signal	4 - 20ma 2 wire / Others on request
Electrical Connection with Pg 7 Cable Gland	4 pin L-Plug per DIN 43 650
Weather Protection	IP 65

Connection	G1/4 A DIN 3852-E
PRICE	£168.90 / €211.10
Ranges	Article No.
1 bar	12719049
2 bar	12719405
2.5 bar	12719243
4 bar	12719251
6 bar	12719391
10 bar	12719260
16 bar	12719286
25 bar	12719308
40 bar	12719316
60 bar	12719324
100 bar	12719383
160 bar	12719375
250 bar	12719332
400 bar	12719341
600 bar	12719367

Description

Simple - reliable - competitive

The WIKAI A-10 can be used for a multitude of functions across many different applications. Exceptionally simple installation, set-up and operation with an excellent price/performance ratio set this highly-reliable product apart.

Specifications

Pressure ranges	bar	1	1.6	2.5	4	6	10	16	25
Over pressure safety	bar	2	3.2	5	8	12	20	32	50
Burst pressure	bar	5	10	10	17	34	34	100	100
Pressure ranges	bar	40	60	100	160	250	400	600	
Over pressure safety	bar	80	120	200	320	500	800	1200	
Burst pressure	bar	400	550	800	1000	1200	1700	2400	
MPa and kg/cm2 are available {Absolute pressure: 0 ... 1 bar up to 0 ... 25 bar}									
Pressure ranges	psi	15	20	30	50	100	150	200	300
Over pressure safety	psi	30	40	60	100	200	290	400	600
Burst pressure	psi	75	75	150	250	500	500	1500	1500
Pressure ranges	psi	500	1000	1500	2000	3000	5000	10000	
Over pressure safety	psi	1000	1740	2900	4000	6000	10000	17400	
Burst pressure	psi	2500	7975	11600	14500	17400	24650	34800	
{Absolute pressure: 0 ... 15 psi up to 0 ... 300 psi}									