

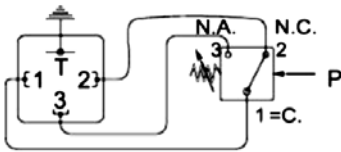


CE EEx II 3 G/D EEx e T6



K5 P Execution with graduate knob

Electrical connection



Adjustable Pressure Switch – K5 Series

Up to 600 BAR rated

K5 Adjustable Pressure switches provide an electrical signal once a set pressure value is reached. Adjustment is via a graduated knob which can be locked with a grub screw.

Mechanical stops protect both the spring & micro-switch from over-pressurisation.

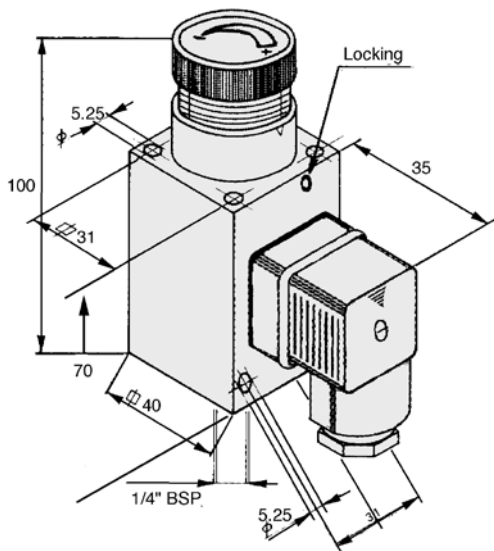
Article no.	Adjustable Pressure Range BAR	Max Pressure BAR	Price £	Price €
K51.1	0.2 - 2	12	£138.50	€145.40
K51.2	0.5 - 5	12	£138.50	€145.40
K51.3	1 - 10	15	£138.50	€145.40
K51.4	3 - 15	20	£138.50	€145.40
K53P	2 - 40	150	£115.90	€121.70
K54P	5 - 100	300	£115.90	€121.70
K55P	20 - 200	400	£115.90	€121.70
K57P	30 - 300	500	£115.90	€121.70
K59P	50 - 400	600	£115.90	€121.70
B6	CETOP 3	350	£55.70	€58.40
B10	CETOP 5	350	£89.90	€94.40

Screw driver adjustable on request

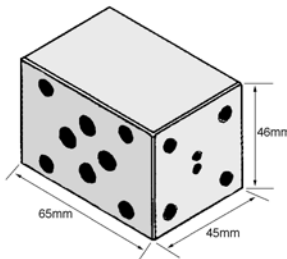
Technical Features

- Body: Anodised Aluminium
- Connection: 1/4" BSP Female or CETOP 3/5
- Mounting: ANY orientation
- Temp. Range: -20 to +80°C
- Frequency: 120 Cycles/min
- Accuracy: ±1% of Set Pressure
- Fixed Hysteresis: 15% of full scale reading
- Weight: 0.35Kg
- Electrical Connection: DIN 43650
- Weatherproof: IP65
- Max. Contact Load: AC 250v (5 A), DC 250v (0.25 A)

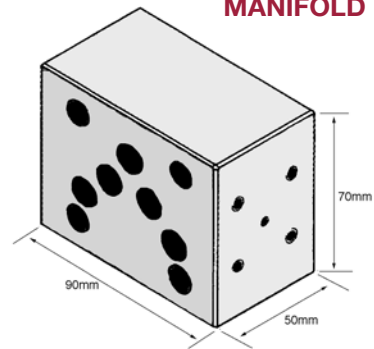
Dimensions



CETOP 3 MANIFOLD



CETOP 5 MANIFOLD



With just one manifold it is possible to connect the outlet pressure to P, A or B. Made in anodized aluminium they can be used for a maximum working pressure of 350 Bar. They are supplied complete with screws to fix the pressure switch, plugs to close the pressure ports not in use and o-rings.