



Electrically Actuated 3 Piece Stainless Steel Ball Valve

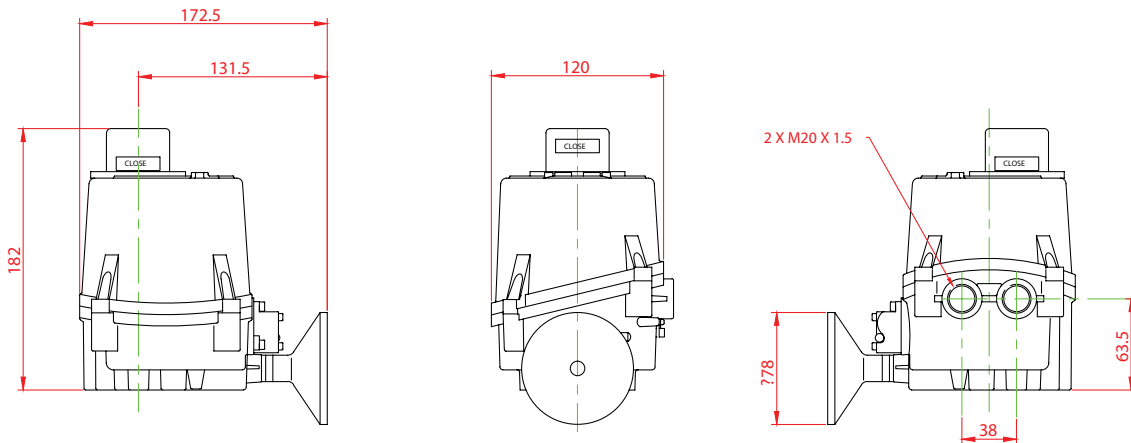
1,000 PSI Rated - 1/4" to 2"
800 PSI Rated - 2 1/2" to 4"

Article no.		Size	Actuator Size	Valve bore (mm)	Price £	Price €
399021*		1/4"	HQ005	8	£424.60	€530.80
399022*	* Suffix with: A = 220v AC B = 110v AC D = 24v DC Others on request	3/8"	HQ005	10	£424.60	€530.80
399023*		1/2"	HQ005	15	£424.60	€530.80
399024*		3/4"	HQ005	20	£432.70	€540.90
399025*		1"	HQ005	25	£464.40	€580.50
399026*		1 1/4"	HQ005	32	£499.30	€624.10
399027*		1 1/2"	HQ005	40	£575.40	€719.20
399028*		2"	HQ005	50	£638.70	€798.40
399029*		2 1/2"	HQ006	65	£1,112.60	€1,390.80
399030*		3"	HQ008	80	£1,564.10	€1,955.10
399031*		4"	HQ015	100	£2,271.50	€2,839.30

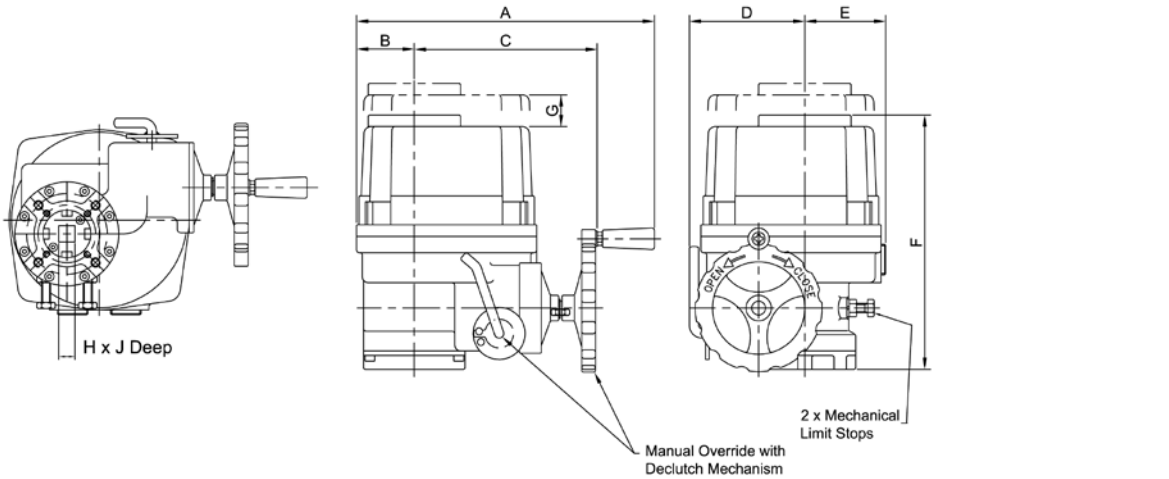
Materials

Body	CF8M - 316 S/S
Ball	316 S/S
Stem Seal	VITON
Ball Seal	PTFE
Temp. Range	+70°C*

Dimensions (mm) - HQ005 Actuator



Dimensions (mm) - HQ008 / HQ015 Actuator



MODEL	BASE	A	B	C	D	E	F	G	H*	J
HQ008	F07	258	50	157	100	70	235	120	14	35
HQ015	F07/F10	338	73	200	142	87	268	160	17	45

* CAN BE MACHINED TO SUIT MOST VALVE STEMS (ON REQUEST)