

Electrically Actuated Wafer Pattern Butterfly Valve

10 - 16 BAR Rated



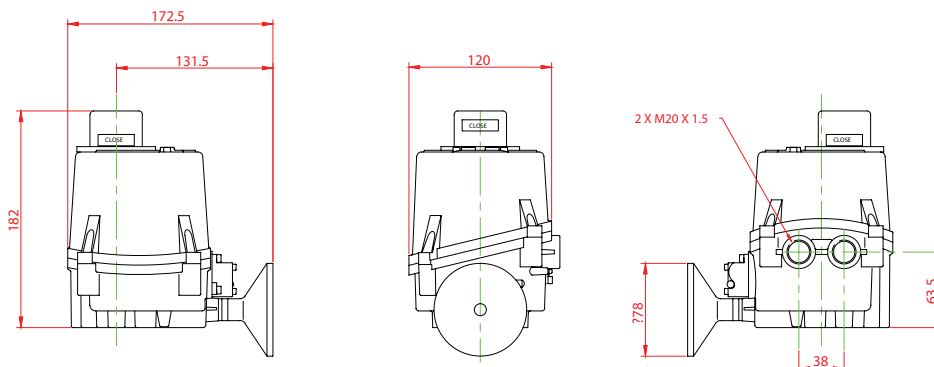
ELECTRIC ACTUATED VALVES

Article no.		Size	Valve bore (mm)	Max pressure (BAR)	Actuator Size	Price £	Price €
SYWE050*		2"	DN50	16	HQ005	£466.90	€607.00
SYWE065*	* Suffix with: A = 220v AC	2 1/2"	DN65	16	HQ005	£474.00	€616.20
SYWE080*	B = 110v AC	3"	DN80	16	HQ005	£483.60	€628.60
SYWE100*	D = 24v DC	4"	DN100	16	HQ006	£690.80	€898.00
SYWE125*	Others on request	5"	DN125	16	HQ015	£1,341.40	€1,743.90
SYWE150*		6"	DN150	16	HQ015	£1,358.30	€1,765.80
SYWE200*		8"	DN200	10	HQ030	£1,828.40	€2,376.90
SYWE250*	24v DC	10"	DN250	10	HQ050	£2,378.40	€3,091.90
SYWE300*	NOT AVAILABLE	12"	DN300	10	HQ050	£2,636.60	€3,427.50

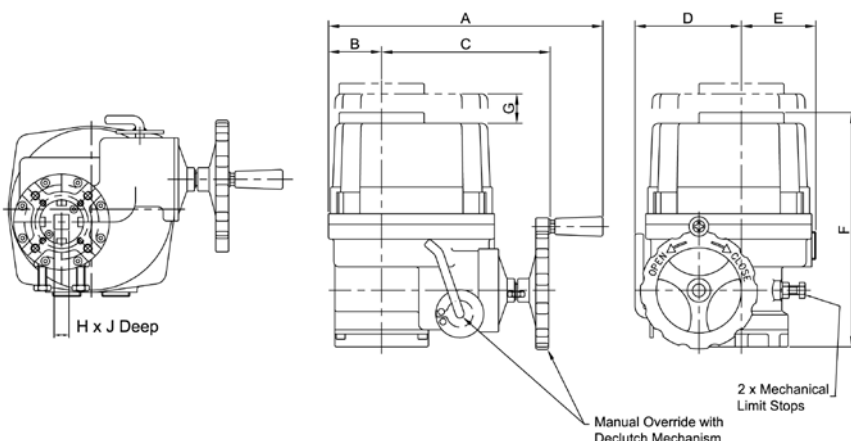
Materials

Body	Cast Iron GG25 Polyurethane Coated
Disc/shaft	316 Stainless Steel
Liner	EPDM (Nitril – On Request)
Temp. Range	+70°C
Flange Compatibility	BS4504 PN10/16 ANSI Class 150

Dimensions (mm) - HQ005 Actuator



Dimensions (mm) - HQ008 - HQ050 Actuator



MODEL	BASE	A	B	C	D	E	F	G	H*	J
HQ008	F07	258	50	157	100	70	235	120	14	35
HQ015	F07/F10	338	73	200	142	87	268	160	17	45
HQ020	F07/F10	338	73	200	142	87	268	160	17	45
HQ050	F10/F12	368	82	221	160	99	290	180	22	52

* CAN BE MACHINED TO SUIT MOST VALVE STEMS (ON REQUEST)