



Electrically Actuated Lugged Butterfly Valve

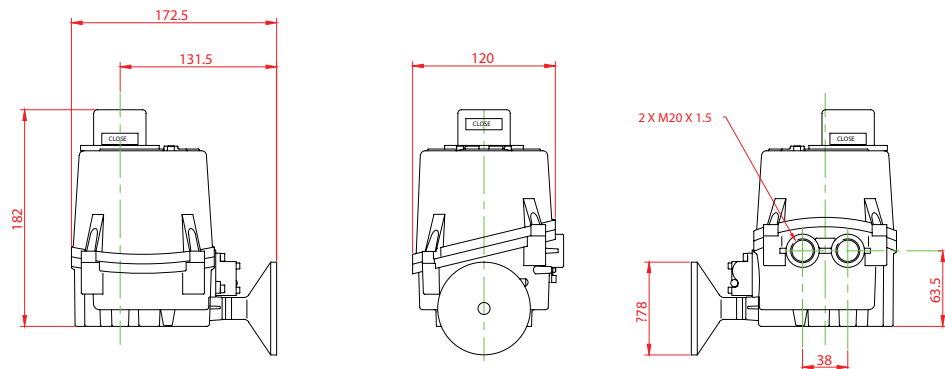
10 - 16 BAR Rated

Article no.		Size	Valve bore	Max pressure	Actuator Size	Price £	Price €
SYLE050*		2"	50 mm	16 BAR	HQ005	£482.50	€603.10
SYLE065*		2 1/2"	65 mm	16 BAR	HQ005	£482.50	€603.10
SYLE080*		3"	80 mm	16 BAR	HQ005	£502.10	€627.60
SYLE100*	* Suffix with: A = 220v AC B = 110v AC D = 24v DC	4"	100 mm	16 BAR	HQ006	£764.90	€956.10
SYLE125*		5"	125 mm	16 BAR	HQ015	£1,376.30	€1,720.40
SYLE150*		6"	150 mm	16 BAR	HQ015	£1,420.00	€1,775.00
SYLE200*		8"	200 mm	10 BAR	HQ030	£1,879.60	€2,349.50
SYLE250*	Others on request	10"	250 mm	10 BAR	HQ050	£2,537.50	€3,171.90
SYLE300*		12"	300 mm	10 BAR	HQ050	£2,863.70	€3,579.60
SYLE20016*		8"	200 mm	16 BAR	HQ030	£2,122.30	€2,652.90
SYLE25016*	24v DC	10"	250 mm	16 BAR	HQ050	£2,489.60	€3,112.00
SYLE30016*	NOT AVAILABLE	12"	300 mm	16 BAR	HQ050	£2,829.80	€3,537.20

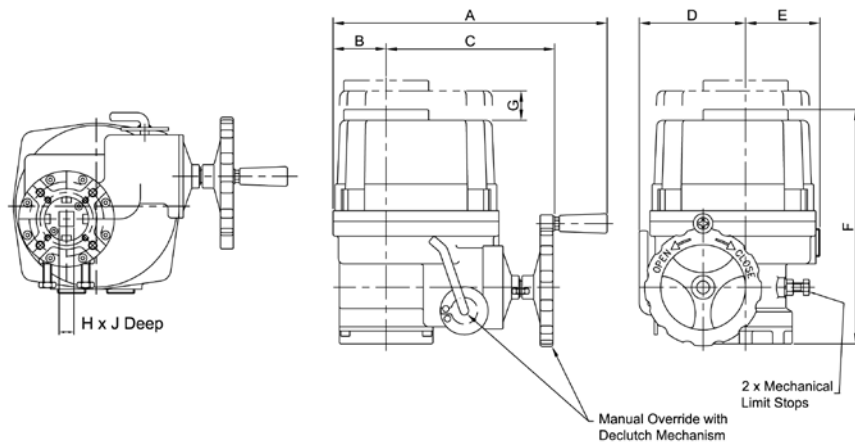
Materials

Body	Cast Iron GG25 Polyurethane Coated
Disc/shaft	316 Stainless Steel
Liner	EPDM (Nitril – On Request)
Temp. Range	+70°C
Flange Compatibility	BS4504 PN10/16

Dimensions (mm) - HQ005 Actuator



Dimensions (mm) - HQ008 - HQ050 Actuator



MODEL	BASE	A	B	C	D	E	F	G	H*	J
HQ008	F07	258	50	157	100	70	235	120	14	35
HQ015	F07/F10	338	73	200	142	87	268	160	17	45
HQ020	F07/F10	338	73	200	142	87	268	160	17	45
HQ050	F10/F12	368	82	221	160	99	290	180	22	52

* CAN BE MACHINED TO SUIT MOST VALVE STEMS (ON REQUEST)