

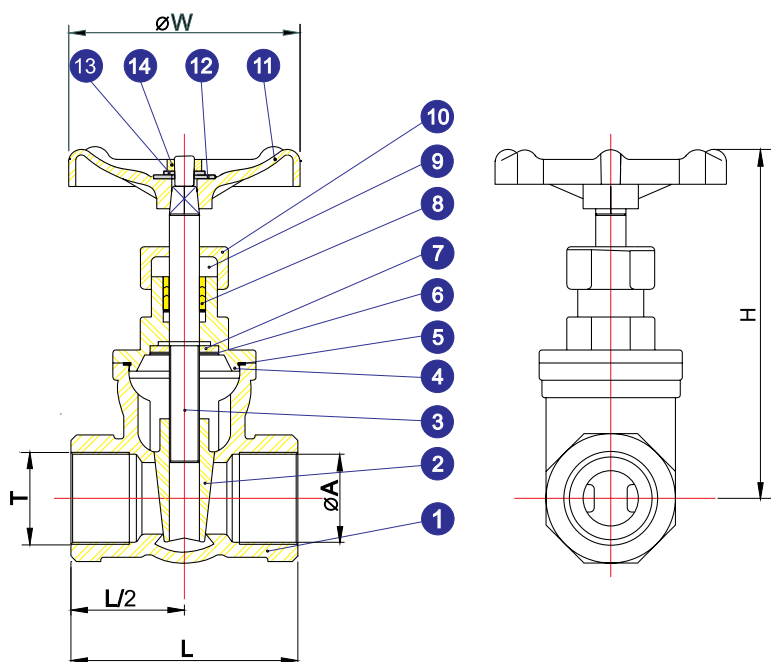
316 Stainless Steel Gate Valves

200 PSI RATED - BSPT

Article no.	Size BSPT	Max Pressure PSI	Price £	Price €
10042	1/2"	200	£35.90	€44.90
10043	3/4"	200	£44.70	€55.90
10044	1"	200	£56.70	€70.80
10045	1 1/4"	200	£94.30	€117.90
10046	1 1/2"	200	£97.90	€122.30
10047	2"	200	£130.20	€162.80



GATE, GLOBE & BUTTERFLY VALVES



Materials

1	Body	ASTM A351 Gr. CF8M
2	Disc	SS 316
3	Stem	SS 316
4	Bonnet	ASTM A351 Gr. CF8M
5	Gasket packing	Teflon
6	Stop ring	SS 304
7	Stem holder	SS 316
8	Stem packing	Teflon
9	Gland	SS 304
10	Gland nut	SS 316
11	Hand wheel	Micro steel
12	Name plate	Aluminium
13	Handle wheel washer	SS 304
14	Handle wheel nut	SS 304

Dimensions

Size	ϕA	L	H	ϕW	T	Weight Kg
1/2"	15	55	95	70	1/2" - NPT.PF	0.42
3/4"	20	60	102	70	3/4" - NPT.PF	0.53
1"	25	65	115	80	1" - NPT.PF	0.70
1 1/4"	32	75	127	80	1 1/4" - NPT.PF	1.10
1 1/2"	38	85	150	90	1 1/2" - NPT.PF	1.50
2"	50	95	170	100	2" - NPT.PF	2.10