



# SG Iron Bellows Seal Globe Stop Valve Article 64

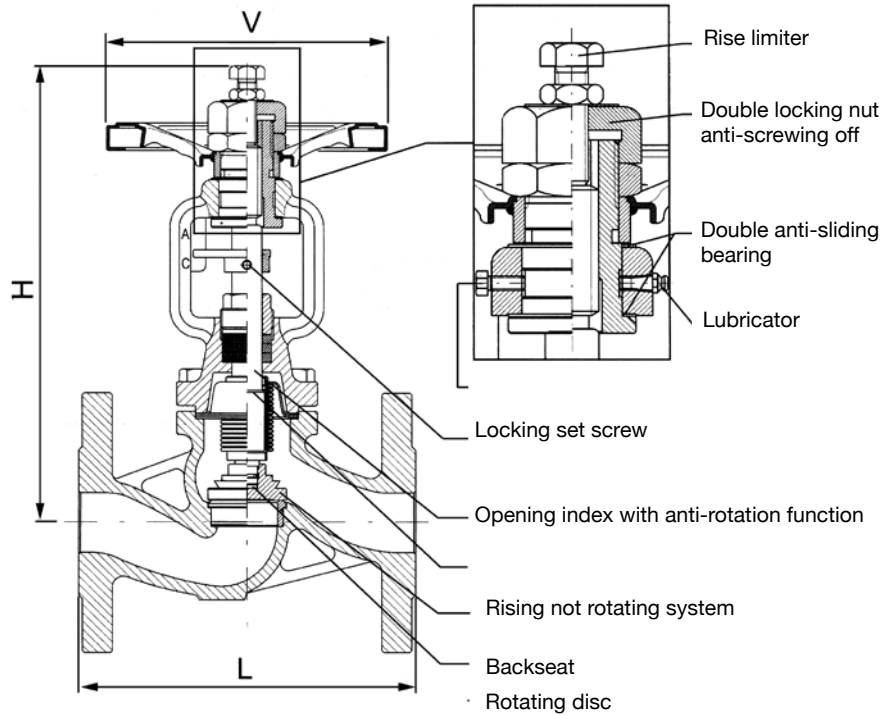
**Nodular Cast Iron Bellows Valve  
PN16 rated**



Article no.	Size	Price £	Price €
<b>MIV6404</b>	1/2"	<b>£204.80</b>	<b>€215.00</b>
<b>MIV6405</b>	3/4"	<b>£223.80</b>	<b>€235.00</b>
<b>MIV6406</b>	1"	<b>£247.20</b>	<b>€259.60</b>
<b>MIV6407</b>	1 1/4"	<b>£295.50</b>	<b>€310.30</b>
<b>MIV6408</b>	1 1/2"	<b>£320.40</b>	<b>€336.40</b>
<b>MIV6410</b>	2"	<b>£389.10</b>	<b>€408.60</b>
<b>MIV6412</b>	2 1/2"	<b>£576.40</b>	<b>€605.20</b>
<b>MIV6414</b>	3"	<b>£664.10</b>	<b>€697.30</b>
<b>MIV6418</b>	4"	<b>£838.20</b>	<b>€880.10</b>
<b>MIV6419</b>	5"	<b>£1,285.90</b>	<b>€1,350.10</b>
<b>MIV6420</b>	6"	<b>£1,711.50</b>	<b>€1,797.10</b>
<b>MIV6421</b>	8"	<b>£3,401.10</b>	<b>€3,571.20</b>
<b>MIV6422</b>	10"	<b>£5,403.80</b>	<b>€5,674.00</b>

### Materials

Body/yoke	EN-GJS-400-18-LT
Stem	X20 Cr13
Seat	DN 15 -125: X20 Cr13 DN 150 - 300: St52-3 + X5CrNi 18 10
Disc	DN 15 -100: X20 Cr13 DN 125 - 300: C22.8 + X5CrNi 18 10
Bellows	X6 CrNiTi 18 10
Gaskets	Graphite



### Dimensions (mm)

DN	15	20	25	32	40	50	65	80	100	125	150	200	250	300
<b>L</b>	130	150	160	180	200	230	290	310	350	400	480	600	730	850
<b>H</b>	217	219	230	233	258	260	353	358	380	391	469	582	683	712
<b>V</b>	125	125	125	125	150	150	200	200	250	300	350	400	500	600
<b>Kg</b>	4	4.8	5.8	7.2	10	12	21	24	31	46	60	113	180	241
<b>Kv</b>	4.59	7.26	11.5	16.8	26.7	42.6	77.9	111	177	262	364	664	1044	1493