



DANFOSS SOCLA offer a 5 Year Warranty on our SYLAX Butterfly Valves

Sylax Butterfly valves

DN25 to 350 mm WRAS APPROVED

Applications

- Water distribution and supply with the main European approvals, water treatment, most of the fluids of general services.
- Industrial applications such as : Metallurgical, mining, paper-making, shipbuilding, nuclear, environmental and mechanical, food industry (see our list of approvals).
- For special applications, especially for particularly difficult media, contact our technical team.
- For vacuum and frequencies above 1 cycle / min, the headline will be pasted.

Main characteristics :

- Multiple connections : centering lugs, tapped lugs.
- Vertical and horizontal operating position.
- High power transmission with robust grooved connection between the shaft and the disc.
- Easy maintenance by removing the circlips
- Interchangeable disc and liner.
- Complete recyclability of the butterfly valve
- Body in cast iron GJL1040, ductile iron GJS1030 , steel and stainless steel.
- Body epoxy coated 80µm colour blue RAL 5017 (other coatings are available)
- Wide choice of actuators.



- Safety anti-ejection circlip keeps shaft in place and allows easy maintenance
- Safety reinforced by a secondary watertightness.
- Spline driven one piece shaft connected to floating disc :
 - high reliability of tightness and torque transmission in the long term.



Identification and traceability ensured by riveted metal tag



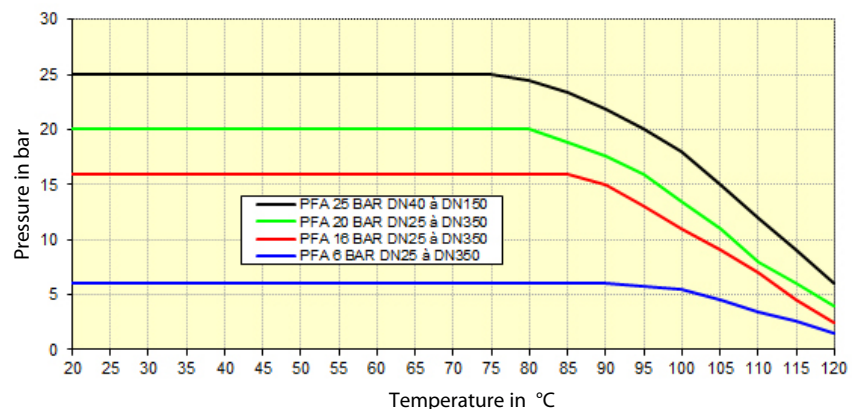
- High power transmission with robust grooved connection between the shaft and the disc.
- Complete protection of the shaft and valve body from fluids.
- Reliability of movements with self-lubricating bearings.

Torque Values

Wet torques (Nm)	25	32	40	50	65	80	100	125	150	200	250	300	350
PS6	EPDM	10	10	10	10	10	20	22	40	45	85	200	400
	NBR	10	12	12	12	20	22	30	55	85	115	255	560
PS16	EPDM	10	10	10	10	18	25	46	60	120	280	430	500
	NBR	10	12	12	12	28	32	55	80	100	150	450	720

NOTE : One actuation minimum per month.

Pressure/temperature Chart



Sylax Butterfly valves

DN25 to 350 mm WRAS APPROVED

Flow rate (Kv)

OPENING STAGE - Stainless steel disc									
DN	10°	20°	30°	40°	50°	60°	70°	80°	90°
25	-	-	-	3	8	16	27	35	40
32/40	-	-	-	5	12	25	40	56	62
50	-	-	1	8	18	33	54	71	79
65	-	-	6	19	41	76	118	158	174
80	-	3	18	43	79	138	211	252	275
100	-	15	38	83	154	253	368	458	496
125	-	20	61	134	249	399	599	792	883
150	5	37	100	200	374	600	863	1109	1212
200	15	76	200	399	680	1099	1666	2196	2500
250	40	150	333	621	1084	1765	2452	3517	3948
300	60	219	500	989	1736	2770	4097	5118	5635
350	145	420	882	1676	2850	4462	6000	7431	8520

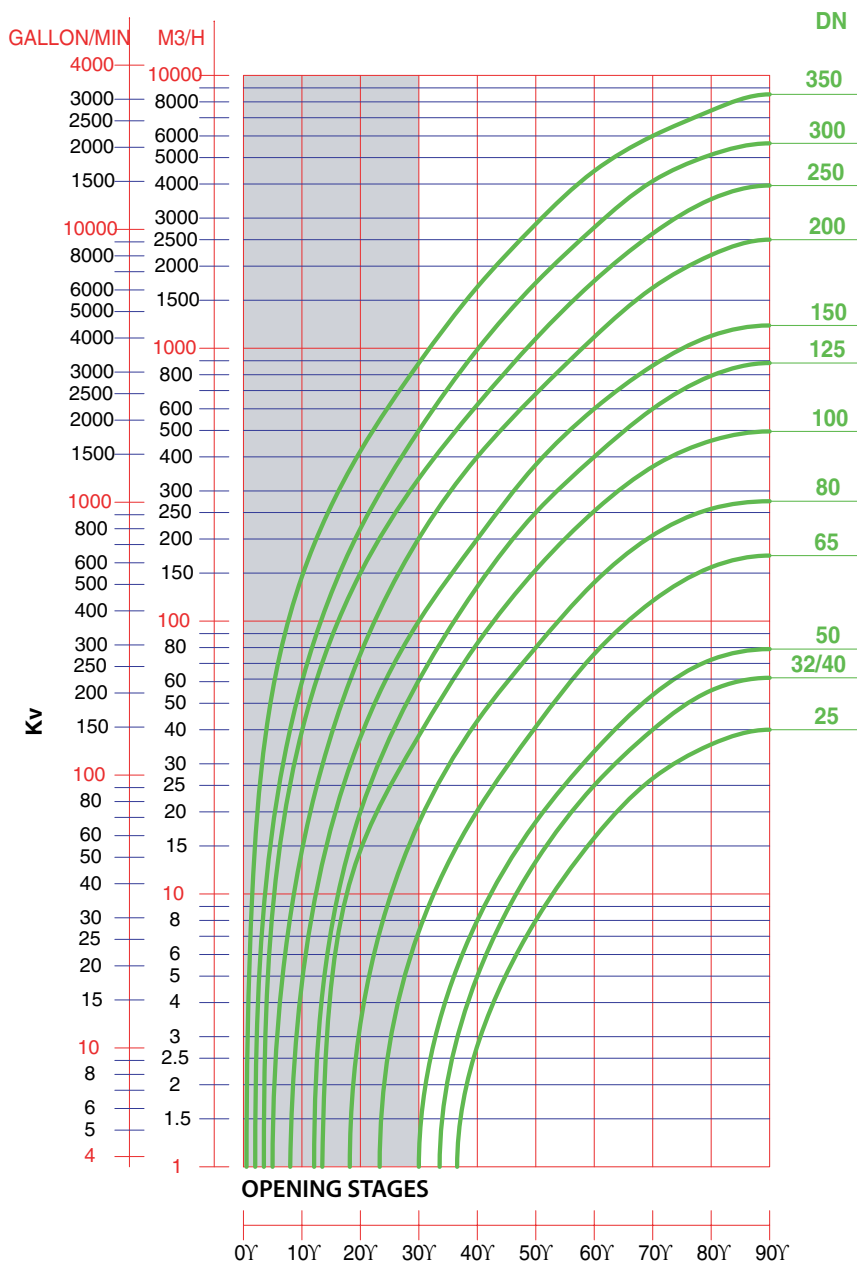


GATE, GLOBE & BUTTERFLY VALVES

The butterfly valve is not the best product for regulating. Nevertheless, the Sylax 25-350 mm butterfly valve can be used to regulate by an opening stage between 30° and 90°.

A regulation in the opening stage lower than 30° is not advisable because of over speed, cavitation effect, which could damage prematurely the valve.

Kv = volume of water in m3/h through a valve at a preset opening stage and under a head loss of 1 bar.



The maximum flow velocity of the fluid through the valve must not exceed :

- 3 m/s for liquid fluids. Between 3 and 5m/s, the use of the Sylax 25-350 mm butterfly valve is possible, but the phenomena of cavitation, noise, vibration and water hammering increase.
- 20m/s for gas. Between 20 and 25m/s, the use of the Sylax 25-350 mm butterfly valve is possible, but the phenomena of cavitation, noise, vibration and water hammering increase.

SYLAX Wafer Type Butterfly Valves Cast Iron Body

BS4504-PN16 / ANSI 150 - 16 BAR Rated

WRAS
APPROVED



DANFOSS SOCLA
SYLAX SERIES



Stainless Steel Disc

Article No EPDM LINER	Article No NITRIL LINER	Size	Price £	Price €
SYWE025	SYWN025	1"	£116.70	€145.90
SYWE32/40	SYWN32/40	1 1/2"	£88.80	€111.00
SYWE050	SYWN050	2"	£98.90	€123.70
SYWE065	SYWN065	2 1/2"	£105.80	€132.30
SYWE080	SYWN080	3"	£115.00	€143.80
SYWE100	SYWN100	4"	£132.90	€166.10
SYWE125	SYWN125	5"	£214.50	€268.20
SYWE150	SYWN150	6"	£230.90	€288.60
SYWE200	SYWN200	8"	£373.10	€466.40
SYWE250	SYWN250	10"	£738.50	€923.20
SYWE300	SYWN300	12"	£988.70	€1,235.90

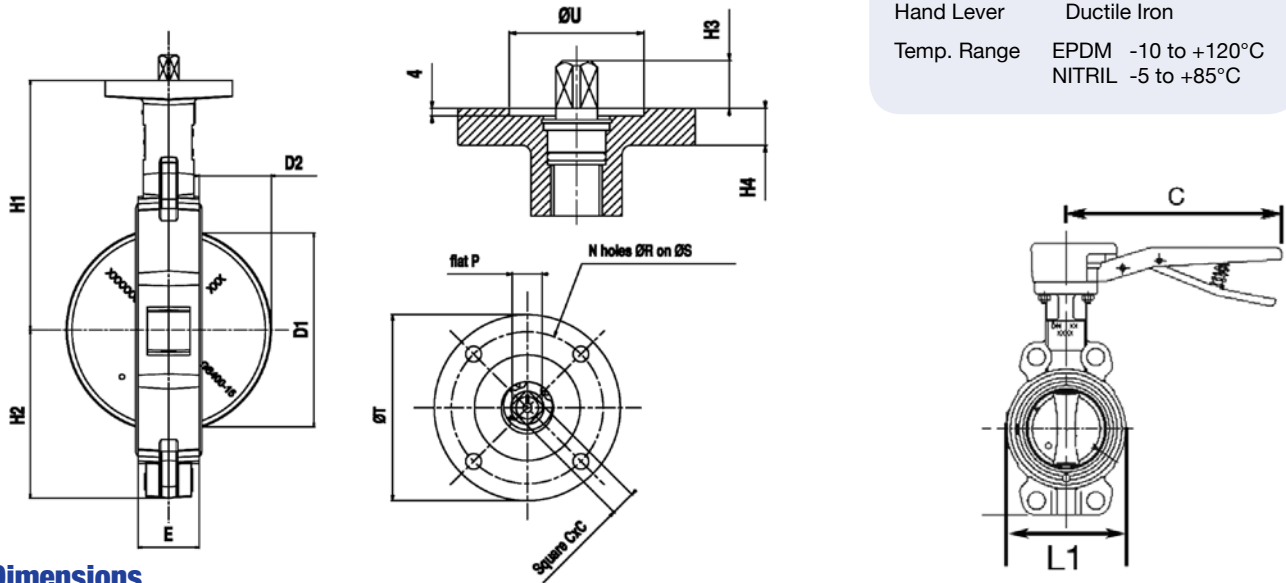
With Gearbox

Article No EPDM LINER	Article No NITRIL LINER	Size	Price £	Price €
SYWE200GB	SYWN200GB	8"	OR	OR
SYWE250GB	SYWN250GB	10"	OR	OR
SYWE300GB	SYWN300GB	12"	OR	OR
SYWE350GB 10 BAR	SYWN350GB 10 BAR	14"	OR	OR
SYWE400GB 10 BAR	SYWN400GB 10 BAR	16"	OR	OR

On request VITON Lined
Silicone Lined

Materials

Body	Cast Iron
Disc	316 S/S
Shaft	S/S 420
Liner	EPDM / NITRIL
Hand Lever	Ductile Iron
Temp. Range	EPDM -10 to +120°C NITRIL -5 to +85°C



Dimensions

Diameter		Face to face		Overall dimensions				Iso top according to ISO 5211					Square drive outlet	Travel of the disc		Weight kg			
DN	NPS	E	C	L1	H1	H2	H4	N	ØR	ØS	ØT	ØU	N°	°C	H3	Flat P	D1	D2	
25	1	32	200	100	125	50	12	4	6,5	50	65	36	F05	11	16	11	6	1	1.6
32/40	1 1/2	32	200	144	130	57	12	4	6,5	50	65	36	F05	11	16	11	31	6,5	3.5
50	2	43	200	121	136	62	12	4	6,5	50	65	36	F05	11	16	11	29	4,5	3.4
65	2 1/2	46	200	136	145	70	12	4	6,5	50	65	36	F05	11	16	11	48	10	3.7
80	3	46	200	127	151	89	12	4	6,5	50	65	36	F05	11	16	11	67	18	3.9
100	4	52	200	149	175	106	10	4	6,5	50	65	56	F05	11	16	11	88	25	6.4
125	5	56	290	182	190	120	12	4	8,5	70	90	56	F07	14	19	14	113	35	7.8
150	6	56	290	209	203	131	12	4	8,5	70	90	56	F07	14	19	14	141	48	8.6
200	8	60	450	265	245,5	164	15,5	4	10,5	102	125	71	F10	17	24	20	192	71	16.6
250	10	68	450	317	271	200	16	4	10,5	102	125	71	F10	22	24	26	242	91,5	22.4
300	12	78	450	370	296	235	16	4	12,5	125	150	87	F12	22	29	26	291	112	25.6
350	14	78		424	305	270	16	4	12,5	125	150	87	F12	27	29	-	331	132	

SYLAX Lugged Type Butterfly Valves

Cast Iron Body

for Flanges BS4504 - PN10 / PN16

**WRAS
APPROVED**



DANFOSS SOCLA
SYLAX SERIES



GATE, GLOBE & BUTTERFLY VALVES

Stainless Steel Disc

Article No EPDM LINER	Article No NITRIL LINER	Size	Price £	Price €
SYLE032	SYLN032	1 1/4" PN16	£131.50	€164.40
SYLE040	SYLN040	1 1/2" PN16	£97.70	€122.10
SYLE050	SYLN050	2" PN16	£114.00	€142.50
SYLE065	SYLN065	2 1/2" PN16	£114.00	€142.50
SYLE080	SYLN080	3" PN16	£133.00	€166.20
SYLE100	SYLN100	4" PN16	£204.70	€255.80
SYLE125	SYLN125	5" PN16	£248.30	€310.30
SYLE150	SYLN150	6" PN16	£290.70	€363.30
SYLE200	SYLN200	8" PN10	£422.70	€528.40
SYLE250	SYLN250	10" PN10	£892.70	€1,115.90
SYLE300	SYLN300	12" PN10	£1,208.70	€1,510.90
SYLE20016	SYLN20016	8" PN16	£657.90	€822.40
SYLE25016	SYLN25016	10" PN16	£846.30	€1,057.80

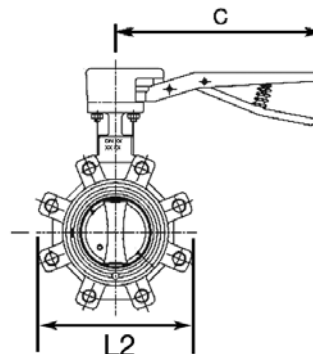
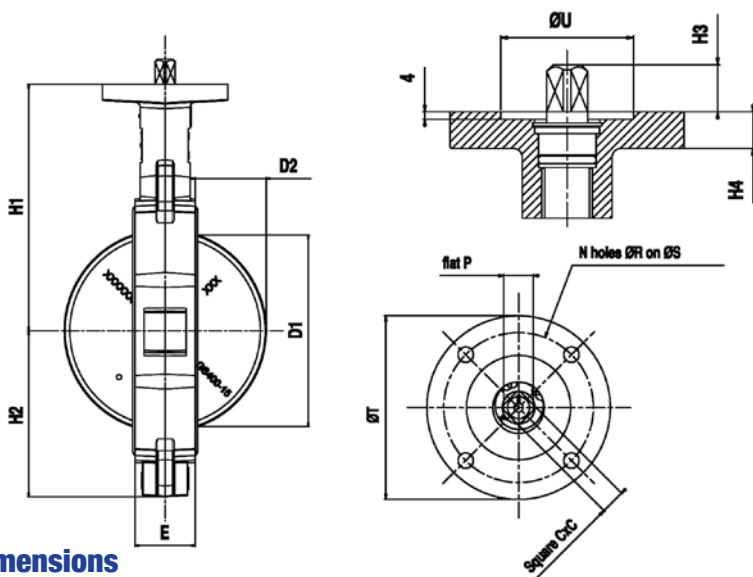
With Gearbox

Article No EPDM LINER	Article No NITRIL LINER	Size	Price £	Price €
SYLE200GB	SYLN200GB	8" PN10	OR	OR
SYLE250GB	SYLN250GB	10" PN10	OR	OR
SYLE300GB	SYLN300GB	12" PN10	OR	OR
SYLE350GB	SYLN350GB	14" PN10	OR	OR
SYLE40016GB	SYLN400GB	16" PN10	OR	OR
SYLE20016GB	SYLN20016GB	8" PN16	OR	OR
SYLE25016GB	SYLN25016GB	10" PN16	OR	OR
SYLE30016GB	SYLN30016GB	12" PN16	OR	OR
SYLE35016GB	SYLN35016GB	14" PN16	OR	OR
SYLE40016GB	SYLN40016GB	16" PN16	OR	OR

On request
VITON Lined
PTFE Lined
Silicone Lined

Materials

Body	Cast Iron
Disc	316 S/S
Shaft	S/S 420
Liner	EPDM / Nitril
Hand Lever	Ductile Iron
Temp. Range	EPDM -10 to +120°C NITRIL -5 to +85°C



Dimensions

Diameter		Face to face		Overall dimensions				Iso top according to ISO 5211					Square drive outlet		Travel of the disc		Weight kg		
DN	NPS	E	C	L2	H1	H2	H4	N	ØR	ØS	ØT	ØU	N°	°C	H3	Flat P	D1	D2	
32/40	1 1/2	32	200	146	130	57	12	4	6,5	50	65	36	F05	11	16	11	31	6,5	3.8
50	2	43	200	121	136	62	12	4	6,5	50	65	36	F05	11	16	11	29	4,5	3.7
65	2 1/2	46	200	165	145	70	12	4	6,5	50	65	36	F05	11	16	11	48	10	4.2
80	3	46	200	179	151	89	12	4	6,5	50	65	36	F05	11	16	11	67	18	5.1
100	4	52	200	206	175	103	10	4	6,5	50	65	36	F05	11	16	11	88	25	7.7
125	5	56	290	238	190	119	12	4	8,5	70	90	56	F07	14	19	14	113	35	10.3
150	6	56	290	265	203	133	12	4	8,5	70	90	56	F07	14	19	14	141	48	11.1
200	8	60	450	336	245,5	168	15,5	4	10,5	102	125	71	F10	17	24	20	192	71	22.9
250	10	68	450	396	271	198	16	4	10,5	102	125	71	F10	22	24	26	242	91,5	28.9
300	12	78	450	462	296	227	16	4	12,5	125	150	87	F12	22	29	26	291	112	32.2
350	14	78		497	305	248	16	4	12,5	125	150	87	F12	27	29	-	331	132	-