



DANFOSS SOCLA
SYLAX SERIES



Materials

Body	GGG40 Ductile Iron
Disc	316 S/S
Shaft	S/S 420
Liner	Viton
Hand Lever	Ductile Iron
Temp. Range	+5 to +180°C

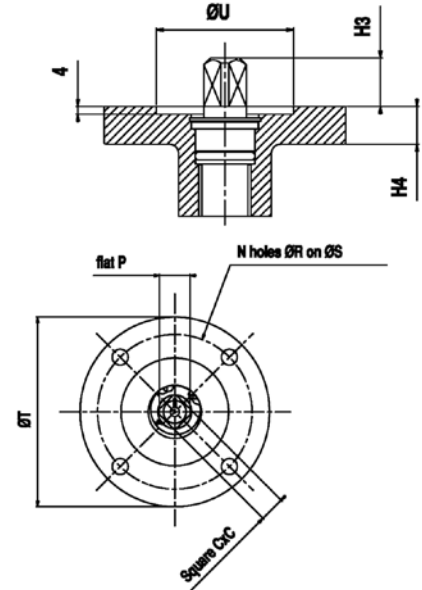
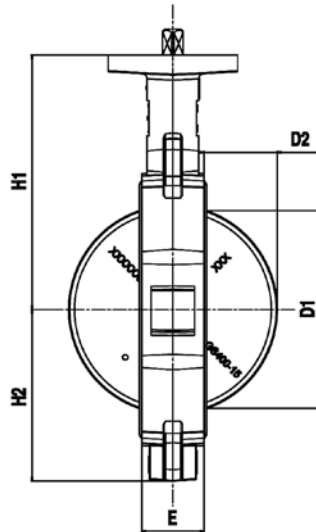
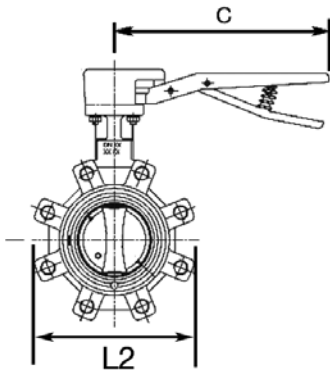
SYLAX Viton Lined Butterfly Valves

Lugged Type , GGG40 Ductile Iron Body

for Flanges BS4504 - PN10 / PN16

Gearbox - available on request

Article No		Size	Price £	Price €
149G022188	PN16	DN32 - 1 1/4"	£314.50	€408.90
149G022192	PN16	DN40 - 1 1/2"	£314.50	€408.90
149G014686	PN16	DN50 - 2"	£314.50	€408.90
149G022200	PN16	DN65 - 2 1/2"	£321.40	€417.80
149G022204	PN16	DN80 - 3"	£361.50	€469.90
149G059993	PN16	DN100 - 4"	£530.40	€689.50
149G014692	PN16	DN125 - 5"	£703.00	€913.90
149G073770	PN16	DN150 - 6"	£836.00	€1,086.80
149G046219	PN10	DN200 - 8"	£1,510.60	€1,963.80
149G046220	PN16	DN200 - 8"	£1,510.60	€1,963.80



Dimensions

Diameter		Face to face	Overall dimensions					Iso top according to ISO 5211					Square drive outlet	Travel of the disc	Weight kg				
DN	NPS	E	C	L2	H1	H2	H4	N	ØR	ØS	ØT	ØU	N°	°C	H3	Flat P	D1	D2	
32/40	1 1/2	32	200	146	130	57	12	4	6,5	50	65	36	F05	11	16	11	31	6,5	3.8
50	2	43	200	121	136	62	12	4	6,5	50	65	36	F05	11	16	11	29	4,5	3.7
65	2 1/2	46	200	165	145	70	12	4	6,5	50	65	36	F05	11	16	11	48	10	4.2
80	3	46	200	179	151	89	12	4	6,5	50	65	36	F05	11	16	11	67	18	5.1
100	4	52	290	206	175	103	12	4	8,5	70	90	56	F07	14	19	14	88	25	7.7
125	5	56	290	238	190	119	12	4	8,5	70	90	56	F07	14	19	14	113	35	10.3
150	6	56	290	265	203	133	12	4	8,5	70	90	56	F07	14	19	14	141	48	11.1
200	8	60	450	336	245,5	168	15,5	4	10,5	102	125	71	F10	17	24	20	192	71	22.9
250	10	68	450	396	271	198	16	4	10,5	102	125	71	F10	22	24	26	242	91,5	28.9
300	12	78	450	462	296	227	16	4	12,5	125	150	87	F12	22	29	26	291	112	32.2
350	14	78	450	497	305	248	16	4	12,5	125	150	87	F12	27	29	-	331	132	-