

SYLAX Viton Lined Butterfly Valves

Wafer Type , GGG40 Ductile Iron Body

BS4504-PN16 / ANSI 150 - 16 BAR Rated

Gearbox - available on request



DANFOSS SOCLA
SYLAX SERIES



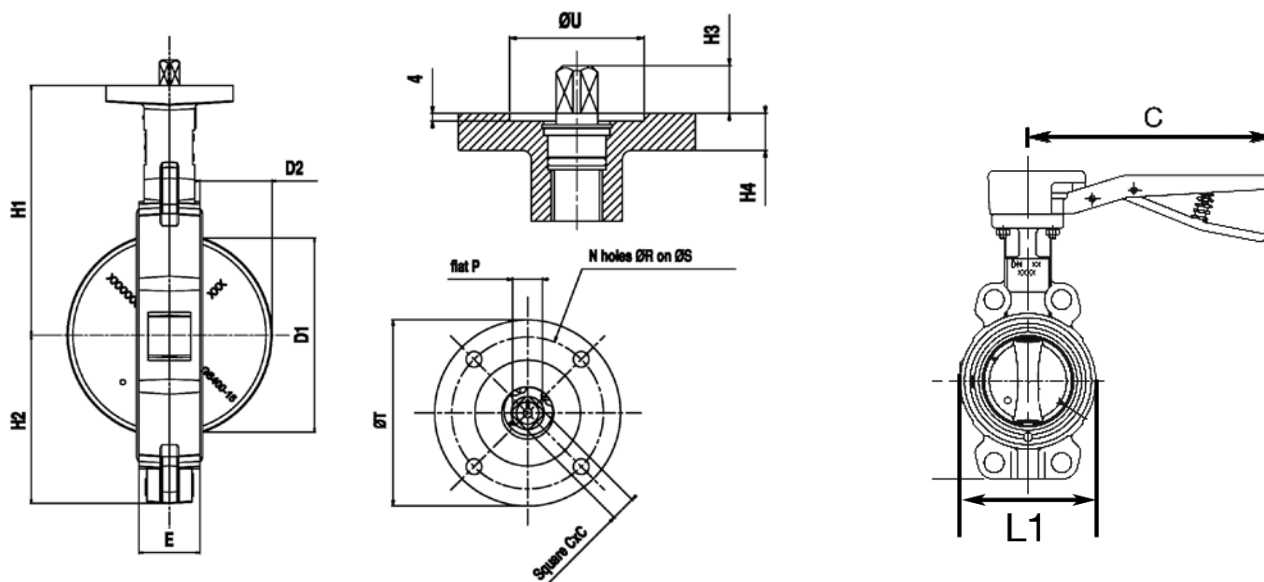
GATE, GLOBE & BUTTERFLY VALVES

Article No	Size	Price £	Price €
149G012052	DN40 - 1 1/2"	£328.50	€427.00
149G012054	DN50 - 2"	£328.50	€427.00
149G019277	DN65 - 2 1/2"	£300.50	€390.70
149G016085	DN80 - 3"	£309.50	€402.30
149G012063	DN100 - 4"	£457.10	€594.20
149G012066	DN125 - 5"	£617.70	€803.00
149G072719	DN150 - 6"	£746.30	€970.20
149G036556	DN200 - 8"	£1,384.60	€1,799.90

Materials

Body	GGG40 Ductile Iron
Disc	316 S/S
Shaft	S/S 420
Liner	Viton
Hand Lever	Ductile Iron

Temp. Range	EPDM = -10 to +120°C
	VITON = -5 to +85°C



Dimensions

Diameter		Face to face		Overall dimensions				Iso top according to ISO 5211					Square drive outlet		Travel of the disc		Weight kg		
DN	NPS	E	C	L1	H1	H2	H4	N	ØR	ØS	ØT	ØU	N°	°C	H3	Flat P	D1	D2	
25	1	32	200	100	125	50	12	4	6,5	50	65	36	F05	11	16	11	6	1	-
32/40	1 1/2	32	200	144	130	57	12	4	6,5	50	65	36	F05	11	16	11	31	6,5	3.5
50	2	43	200	121	136	62	12	4	6,5	50	65	36	F05	11	16	11	29	4,5	3.4
65	2 1/2	46	200	136	145	70	12	4	6,5	50	65	36	F05	11	16	11	48	10	3.7
80	3	46	200	127	151	89	12	4	6,5	50	65	36	F05	11	16	11	67	18	3.9
100	4	52	290	153	175	106	12	4	8,5	70	90	56	F07	14	19	14	88	25	6.4
125	5	56	290	182	190	120	12	4	8,5	70	90	56	F07	14	19	14	113	35	7.8
150	6	56	290	209	203	131	12	4	8,5	70	90	56	F07	14	19	14	141	48	8.6
200	8	60	450	265	245,5	164	15,5	4	10,5	102	125	71	F10	17	24	20	192	71	16.6
250	10	68	450	317	271	200	16	4	10,5	102	125	71	F10	22	24	26	242	91,5	22.4
300	12	78	450	370	296	235	16	4	12,5	125	150	87	F12	22	29	26	291	112	25.6
350	14	78		424	305	270	16	4	12,5	125	150	87	F12	27	29	-	331	132	