

Stainless Steel Body Butterfly Valves Lugged Type

For Flanges BS4504-PN16 - 16 BAR Rated (unless otherwise stated)

Stainless Steel Disc

Article No EPDM LINER	PART No NITRIL LINER	Rating	Size	Price £	Price €
149G020600	149G020669	PN16	2"	OR	OR
149G020661	149G020670	PN16	2 1/2"	OR	OR
149G020662	149G020671	PN16	3"	OR	OR
149G020663	149G020672	PN16	4"	OR	OR
149G063722	149G020673	PN16	5"	OR	OR
149G020665	149G020674	PN16	6"	OR	OR
149G020666	149G020675	PN16	8"	OR	OR
149G020667	149G020676	PN16	10"	OR	OR
149G020668	149G020677	PN16	12"	OR	OR
149G041721	149G041724	PN10	8"	OR	OR
149G041722 (1)	149G041725 (1)	PN10	10"	OR	OR
149G041723 (1)	149G041726 (1)	PN10	12"	OR	OR

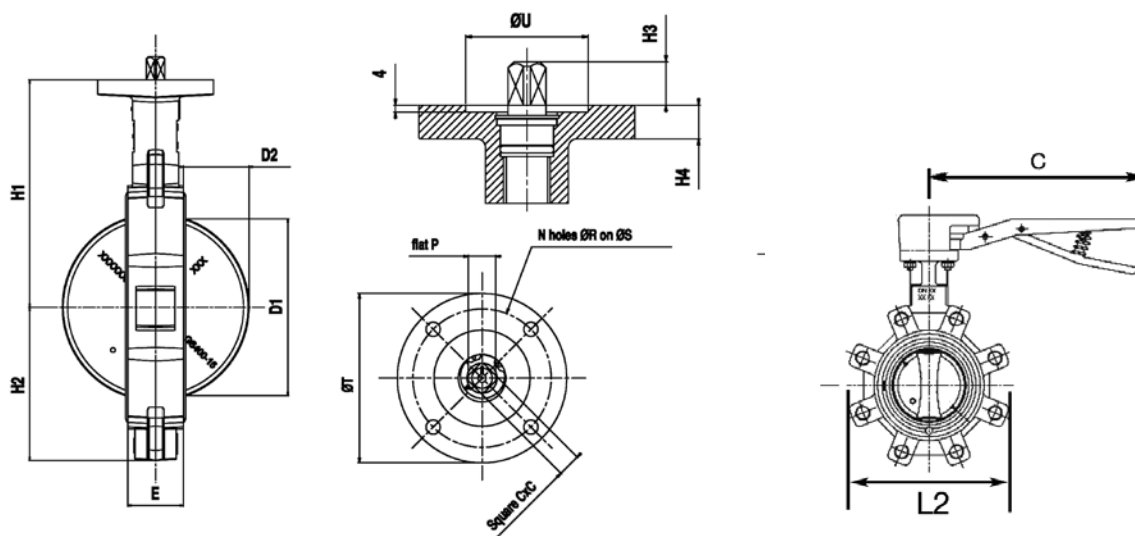


**DANFOSS SOCLA
SYLAX SERIES**

Materials

Body 316 Stainless Steel
Disc 316 S/S
Shaft S/S 420
Liner EPDM / NITRIL
Hand Lever Ductile Iron

Temp. Range EPDM -10 to +120°C
NITRIL -5 to +85°C



Dimensions

Diameter		Face to face	Overall dimensions				Iso top according to ISO 5211					Square drive outlet		Travel of the disc		Weight kg		
DN	NPS	E	L2	H1	H2	H4	N	ØR	ØS	ØT	ØU	N°	°C	H3	Flat P	D1	D2	
32/40	1 1/2	32	146	130	57	12	4	6,5	50	65	36	F05	11	16	11	31	6,5	2,7
50	2	43	121	136	62	12	4	6,5	50	65	36	F05	11	16	11	29	4,5	3,3
65	2 1/2	46	165	145	70	12	4	6,5	50	65	36	F05	11	16	11	48	10	3,9
80	3	46	179	151	89	12	4	6,5	50	65	36	F05	11	16	11	67	18	4,8
100	4	52	206	175	103	12	4	8,5	70	90	56	F07	14	19	14	88	25	7,2
125	5	56	238	190	119	12	4	8,5	70	90	56	F07	14	19	14	113	35	9,7
150	6	56	265	203	133	12	4	8,5	70	90	56	F07	14	19	14	141	48	11,2
200	8	60	336	245,5	168	15,5	4	10,5	102	125	71	F10	17	24	20	192	71	21,6
250	10	68	396	271	198	16	4	10,5	102	125	71	F10	22	24	26	242	91,5	28,1
300	12	78	462	296	227	16	4	12,5	125	150	87	F12	22	29	26	291	112	38,2
350	14	78	497	305	248	16	4	12,5	125	150	87	F12	27	29	-	331	132	-