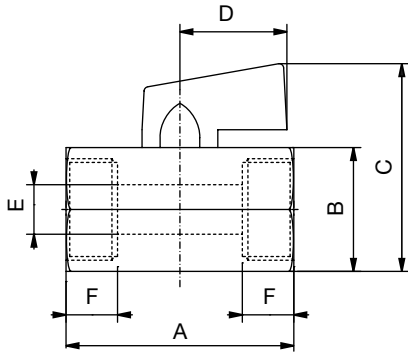




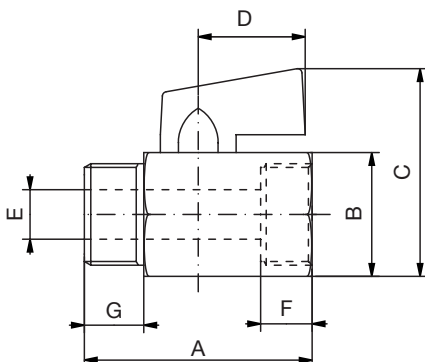
### Materials

Body Forged Brass - Nickel Plated  
 Ball Brass - Chromed  
 Stem Seal NITRIL  
 Ball Seal PTFE  
 Temp. Range 0 to +90°C



### Materials

Body Forged Brass - Nickel Plated  
 Ball Brass - Chromed  
 Stem Seal NITRIL  
 Ball Seal PTFE  
 Temp. Range 0 to +90°C



## Nickel Plated Brass Mini Ball Valves

### Series ART 125

15 BAR Rated - Female x Female connection - ISO 228

#### Nylon Lever (SUFFIX 'R' FOR RED HANDLE)

Article no.	Size BSP	Max Pressure BAR	Price £	Price €
108030	1/8"	15	£3.90	€4.10
108031	1/4"	15	£3.90	€4.10
108032	3/8"	15	£3.80	€4.00
108033	1/2"	15	£4.80	€5.00
108034	3/4"	15	£7.20	€7.60

#### Screw Driver Adjustment

Article no.	Price £	Price €
108130	£3.90	€4.10
108131	£3.90	€4.10
108132	£3.80	€4.00
108133	£4.80	€5.00
108134	£7.20	€7.60

#### Dimensions (mm)

Size	1/8"	1/4"	3/8"	1/2"	3/4"
DN	6	8	10	15	20
A	40	40	40	46	52
B	21	21	21	25	30
C	38	38	38	42	48
D	22	22	22	22	22
E	6	8	8	10	12
F	10	10	10	12	14

### Series ART 126

15 BAR Rated - Male x Female connection - ISO 228

#### Black Nylon Lever

Article no.	Size BSP	Max Pressure BAR	Price £	Price €
108037	1/8"	15	£3.60	€3.80
108038	1/4"	15	£3.50	€3.70
108039	3/8"	15	£3.40	€3.60
108040	1/2"	15	£4.30	€4.60
108041	3/4"	15	£7.20	€7.60

#### Screw Driver Adjustment

Article no.	Price £	Price €
108137	£3.60	€3.80
108138	£3.50	€3.70
108139	£3.40	€3.60
108140	£4.30	€4.60
108141	£7.20	€7.60

#### Dimensions (mm)

Size	1/8"	1/4"	3/8"	1/2"	3/4"
DN	6	8	10	15	20
A	40	39	40	45	51
B	21	21	21	25	30
C	38	38	38	42	48
D	22	22	22	22	22
E	6	8	8	10	13.5
F	10	10.2	10	16.2	12.2
G	10	9.2	10.2	12.2	14