

Nickel Plated Brass Ball Valves - Full Flow - For Manifolds

BSP Threaded ISO 228

30 - 50 BAR Rated

Temperature -20 to 150°C



IDEAL®

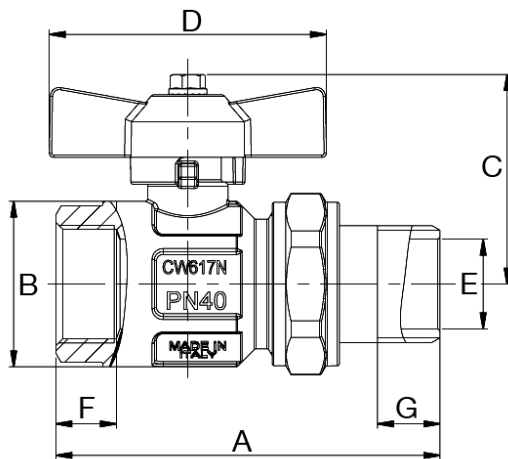


BRASS BALL VALVES

Article no.	Size	Max Pressure BAR	Price £	Price €	Handle
0980012	1/2"	50	£7.30	€7.70	Tee
0980034	3/4"	40	£10.90	€11.50	Tee
0980100	1"	40	£16.90	€17.70	Tee
0980114	1 1/4"	30	£26.60	€28.00	Tee
0980112	1 1/2"	30	£43.90	€46.10	Lever
0980200	2"	30	£68.20	€71.60	Lever

Materials

Body	Forged Brass - Nickel Plated
Ball	Brass - Chromed
Stem Seal	VITON
Ball Seal	PTFE
Temp. Range	-20 to +150°C
Lever Handle	Steel
Tee Handle	Aluminium



Dimensions

size	1/2"	3/4"	1"	1 1/4"	1 1/2"	2"
DN	15	20	25	32	40	50
A (mm)	74	86	99	115	131.5	150.5
B (mm)	30.5	37	45.5	56	70	84
C (mm)	40	48	52	65	80,3	95,8
D (mm)	47	62	62	70	138	157.8
E (mm)	15	20	25	32	39	50
F (mm)	12.5	13.5	15	16.5	17.5	20.5
G (mm)	12	14	16	17	16	17
Pressure BAR	50	40	40	30	20	20
Working Pressure PSI	710	570	570	430	290	290