

## Male x Female Nickel Plated Brass Full Bore Ball Valves

**BSP Parallel Threaded – ISO 228**  
**25 – 50 BAR RATED**

Article no. <b>LEVER HANDLE</b>	Size	Max Pressure BAR	Price £	Price €
<b>217001</b>	1/4"	50	<b>£5.00</b>	<b>€5.20</b>
<b>217002</b>	3/8"	50	<b>£5.20</b>	<b>€5.50</b>
<b>217003</b>	1/2"	30	<b>£5.70</b>	<b>€6.00</b>
<b>217004</b>	3/4"	30	<b>£8.10</b>	<b>€8.60</b>
<b>217005</b>	1"	30	<b>£12.10</b>	<b>€12.70</b>
<b>217006</b>	1 1/4"	25	<b>£19.50</b>	<b>€20.40</b>
<b>217007</b>	1 1/2"	25	<b>£26.90</b>	<b>€28.20</b>
<b>217008</b>	2"	25	<b>£44.50</b>	<b>€46.70</b>

Article no. <b>T HANDLE</b>	Price £	Price €
<b>09314</b>	<b>£4.70</b>	<b>€4.90</b>
<b>09338</b>	<b>£4.90</b>	<b>€5.20</b>
<b>11903</b>	<b>£5.90</b>	<b>€6.20</b>
<b>11904</b>	<b>£8.60</b>	<b>€9.00</b>
<b>11905</b>	<b>£13.10</b>	<b>€13.80</b>

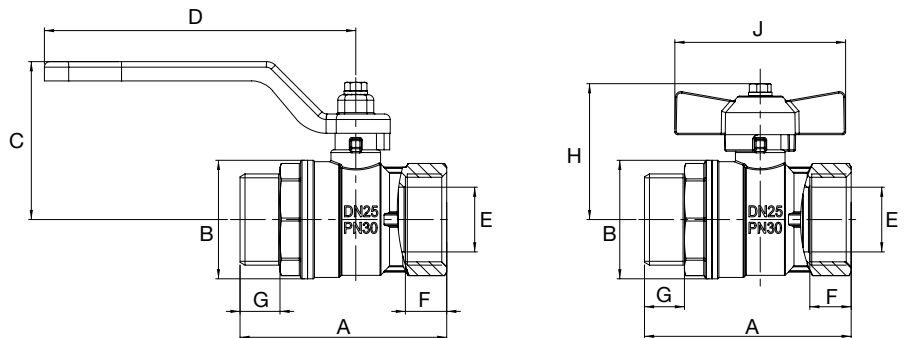
### Materials

Body	Forged Brass - Nickel Plated
Ball	Brass - Chromed
Stem Seal	VITON
Ball Seal	PTFE
Temp. Range	-20 to +150°C
Lever	Steel (Zinc Plated And Painted)
Tee Handle	Aluminium

### Locking Kit for Flat Lever Ball Valve



Article no.	Size	Price £	Price €
<b>084LK01</b>	1/4" - 1/2"	<b>£1.20</b>	<b>€1.30</b>
<b>084LK03</b>	3/4" - 1"	<b>£1.50</b>	<b>€1.70</b>
<b>084PP03</b>	Lock Pin	<b>£1.20</b>	<b>€1.30</b>
<b>PAD3</b>	Padlock to suit ITAP	<b>£8.10</b>	<b>€9.00</b>



### Dimensions (mm)

Size	1/4"	3/8"	1/2"	3/4"	1"	1 1/4"	1 1/2"	2"
<b>DN</b>	8	10	15	20	25	32	40	50
<b>A</b>	54	54	58	63.5	75	87.5	100.5	115.5
<b>B</b>	23.5	24	29	36	43	53	63	79
<b>C</b>	37	37	39.5	54	57.5	72.3	77.3	93.8
<b>D</b>	80	80	80	113	113	138	138	157.8
<b>E</b>	8	10	14	18.5	23.5	30	37	47
<b>F</b>	10	10	12	12	15	16	18	19
<b>G</b>	10.5	10.5	11.5	12.5	14.5	17	19	21
<b>H</b>	36.5	36.5	39	47	50.5			
<b>J</b>	47	47	47	54	62			

### Limit Switch



Article No.		Price £	Price €
<b>suffix/LS</b>	1 switch fitted	<b>£84.50</b>	<b>€114.10</b>
<b>suffix/LS2</b>	2 switches fitted	<b>£113.90</b>	<b>€153.80</b>
<b>LS</b>	switch loose	<b>£29.40</b>	<b>€39.70</b>
<b>LSB</b>	bracket only	<b>£63.00</b>	<b>€85.10</b>