



IDEAL®



Nickel Plated Brass Full Bore Ball Valves - NPT

NPT Threaded
14 – 50 BAR Rated

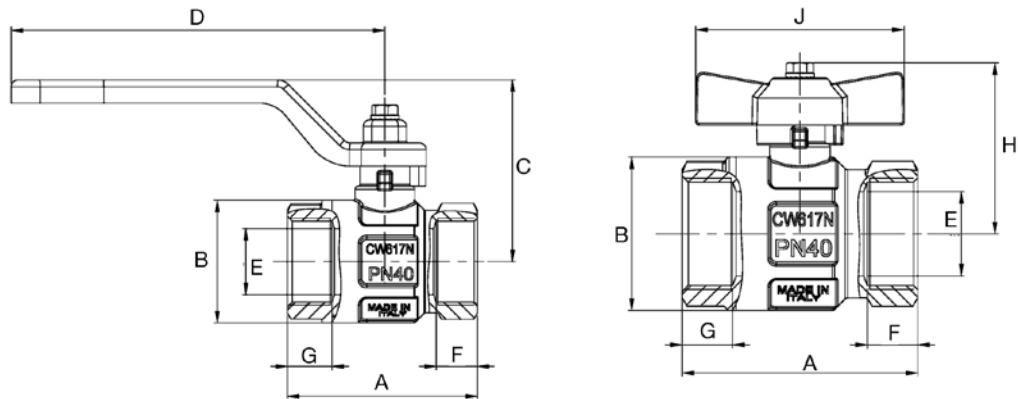
Article no.	Size	Max Pressure BAR	Price £	Price €
946110	1/4"	50	£4.30	€4.50
946111	3/8"	50	£4.40	€4.60
946112	1/2"	50	£5.50	€5.70
946113	3/4"	40	£8.00	€5.40
946114	1"	40	£12.30	€12.90
946115	1 1/4"	30	£19.40	€20.30
946116	1 1/2"	30	£28.90	€30.40
946117	2"	25	£45.10	€47.40
946118	2 1/2"	18	£104.90	€110.20
946119	3"	16	£163.30	€171.50
946120	4"	14	£266.70	€280.00

Limit Switch

Article No.		Price £	Price €
suffix/LS	1 switch fitted	£84.50	€114.10
suffix/LS2	2 switches fitted	£113.90	€153.80
LS	switch loose	£29.40	€39.70
LSB	bracket only	£63.00	€85.10

Materials

Body	Forged Brass - Nickel Plated
Ball	Brass - Chromed
Stem Seal	VITON
Ball Seal	PTFE
Temp. Range	-15 TO +150°C
Lever	Steel (Zinc Plated And Painted)
Tee Handle	Aluminium



Dimensions (mm)

size	1/4"	3/8"	1/2"	3/4"	1"	1 1/4"	1 1/2"	2"	2 1/2"	3"	4"
DN	8	10	15	20	25	32	40	50	65	80	100
A	44.4	44.4	50.5	57.5	70	80.5	94.5	112.5	134.5	157	190
B	23.5	24	30.5	37	45.5	57	70	84	109	131	164
C	37	37	41	55	59	74.5	80.5	96.5	116	133	148
D	80	80	80	113	113	138	138	157.8	197	250	250
E	10	10	15	20	25	32	40	50	65	80	100
F	10	10	12	12.5	15	17	18.5	22	24	26	30
G	10	10	12.5	13.5	15	16.5	17.5	20.5	24	26	30
H	36.5	36.5	41.5	48	52	65					
J	47	47	47	62	62	70					