

Model 1400 & 1415 LP – Low Pressure Safety Relief Valve

5 mbarg to 200 mbarg

Description

Type	Safety relief valves
Connections	EN 1092 / ASME B16.5
Rating	PN 16 / ANSI150
Material	Nodular / A216 WCB / S.S.
Temperature range	-96°C to +350°C

Requirements

Calculation	EN 4126 / API RP 520
Design	EN 12516 / API STD 526 / ASME Section VIII
Materials	EN / ASTM / ASME
Inspection	EN 4126 / API STD 527 / MSS-SP-55
Tolerances	EN 4126 / ASME UG-126

Technical Information

Applications	Steam, gases and vapours
Set pressure range	5 mbarg to 200 mbarg
Seat	metal-metal, PTFE
Overpressure	10% for steam, gas and vapour
Blowdown	10%
Tolerance Set pressure	± 3%
Discharge coefficients	k= 0,64 for gases

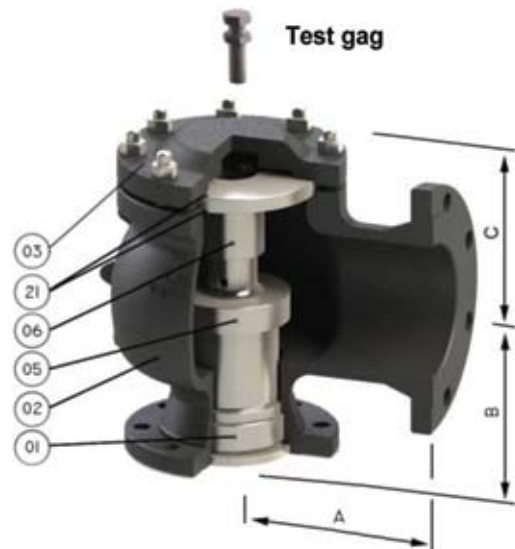
Construction and Materials

Item	Description	PN16		ANSI 150	
		Nodular Iron	S/S	Carbon Iron	S/S
1	Nozzle	AISI-316L	AISI-316L	AISI-316L	AISI-316L
2	Body	EN-JS1030	1.4409	A216 WCB	A351 CF-3M
3	Cover	Carbon steel	AISI-304	Carbon steel	AISI-304
5*	Disc	AISI-316L	AISI-316L	AISI-316L	AISI-316L
6	Guide	AISI-304	AISI-304	AISI-316L	AISI-316L
7	Push Road	AISI-316L	AISI-316L	AISI-316L	AISI-316L
21*	Gasket cover	NBR+MF	PTFE	NBR+MF	PTFE
28*	Soft seat	PTFE	PTFE	PTFE	PTFE

* Recommended spare parts

TOSACA
Safety relief valves

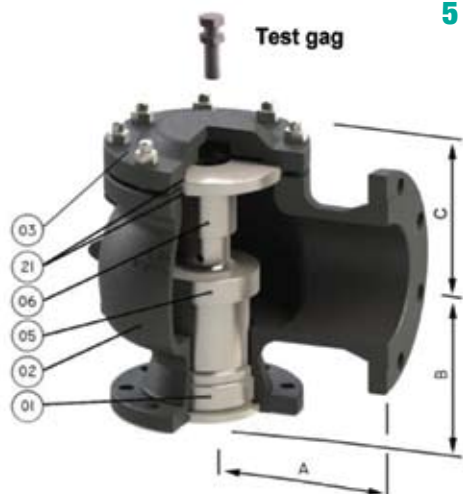
SAFETY RELIEF VALVES



TOSACA
Safety relief valves

Model 1400 & 1415 LP – Low Pressure Safety Relief Valve

5 mbarg to 200 mbarg



DN	TOSACA Model	DN	Flanges Rating	Orif.	Area	A	B	C	W
PN 16		Inlet x Outlet	Inlet /Outlet	(mm)	(mm ²)	(mm)	(mm)	(mm)	Kg
25	1400 LP PN 16	25 x 40	16 / 16	23,8	445	100	105	75	9
32	1400 LP PN 16	32 x 50	16 / 16	29,5	683	110	115	105	11
40	1400 LP PN 16	40 x 65	16 / 16	36	1018	115	140	105	11
50	1400 LP PN 16	50 x 80	16 / 16	46	1662	120	150	155	20
65	1400 LP PN 16	65 x 100	16 / 16	60	2827	140	170	165	30
80	1400 LP PN 16	80 x 125	16 / 16	72	4072	160	195	175	52
100	1400 LP PN 16	100 x 150	16 / 16	90	6362	180	220	175	75
125	1400 LP PN 16	125 x 200	16 / 16	105	8659	200	250	175	105
150	1400 LP PN 16	150 x 250	16 / 16	125	12272	225	285	200	120
200	1400 LP PN 16	200 x 300	16 / 16	153	18385	300	290	225	152
250	1400 LP PN 16	250 x 350	16 / 16	200	31415	406	305	250	515
300	1400 LP PN 16	300 x 400	16 / 16	228	40828	406	359	375	600
400	1400 LP PN 16	400 x 500	16 / 16	304	72950	533	432	400	900
ANSI150									
E	1415 LP ANSI150	1" E 2"	150 / 150	13	133	114	105	75	10
F	1415 LP ANSI150	1 1/2" F 2"	150 / 150	16	201	121	124	105	12
G	1415 LP ANSI150	1 1/2" G 3"	150 / 150	21	346	121	124	110	21
H	1415 LP ANSI150	1 1/2" H "3	150 / 150	26	531	124	130	110	21
J	1415 LP ANSI150	2" J 3"	150 / 150	32,5	830	124	137	110	23
K	1415 LP ANSI150	3" K 4"	150 / 150	40	1195	162	156	175	48
L	1415 LP ANSI150	3" L 4"	150 / 150	49	1.866	165	156	175	48
M	1415 LP ANSI150	4" M 6"	150 / 150	55	2376	184	178	180	72
N	1415 LP ANSI150	4" N 6"	150 / 150	60	2827	210	197	180	72
P	1415 LP ANSI150	4" P 6"	150 / 150	73	4185	229	181	180	72
Q	1415 LP ANSI150	6" Q 8"	150 / 150	96	7238	241	240	200	102
R	1415 LP ANSI150	6" R 8"	150 / 150	115	10387	241	240	200	102
T	1415 LP ANSI150	8" T 10"	150 / 150	147	16.972	279	276	225	135
V	1415 LP ANSI150	10" V 14"	150 / 150	200	31.415	406	305	250	515
W	1415 LP ANSI150	12" W 16"	150 / 150	228	40.828	406	359	375	600
X	1415 LP ANSI150	16" X 20"	150 / 150	304	72.950	533	432	400	900