



## Series: VP-P

**Screw to Connect  
Connect & Disconnect Under Pressure  
Resistant to Hammer/Pulse Applications  
With Safety Lock Connection System**

### Technical Features and Options

- Interchangeability: Stucchi internal specification
- Valve system: Flat face
- Mechanical connection: Screw system
- Connection system: Screw to connect
- Disconnection system: Unscrew to disconnect
- Connection with residual pressure: Allowed in the male coupling, female coupling or both.
- Disconnection with residual pressure: Allowed
- Threads available: BSP, NPT, SAE
- Threads on request: Metrics DIN, ORFS or others
- Temperature range: Standard seals NBR, PUR, POM from -20°C to +100°C (from -4°F to +212°F).

### How To Use

- Before connecting, clean the flat mating surface of coupling to avoid inclusion of contamination into the circuit.
- To couple align the female coupling to the male coupling, push the male and twist in one motion to catch the first thread on the female half and continue to thread together.

The screwing of the threads should be done by hand without the use of the tools for the first part of the connection.

The use of tools for the second part of connection can be necessary if there is high residual pressure in the circuit.

Thread the mating halves until the sleeve lock clicks into position. This activates the safety lock and eliminates accidental disconnection of the coupling.

- To uncouple pull the locking sleeve towards the male coupling and unthread the connection.

The flow path is disengaged after one complete rotation of the coupler, continue to unthread until both halves disconnected.

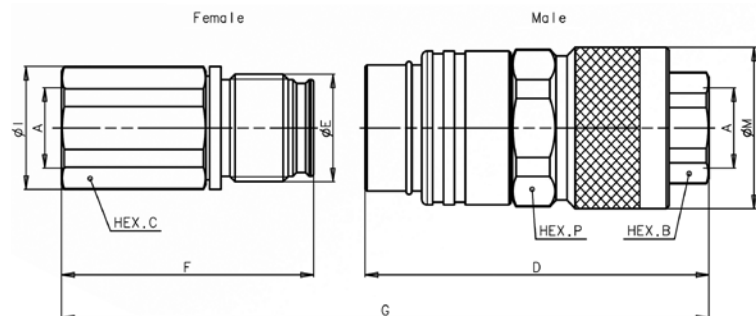
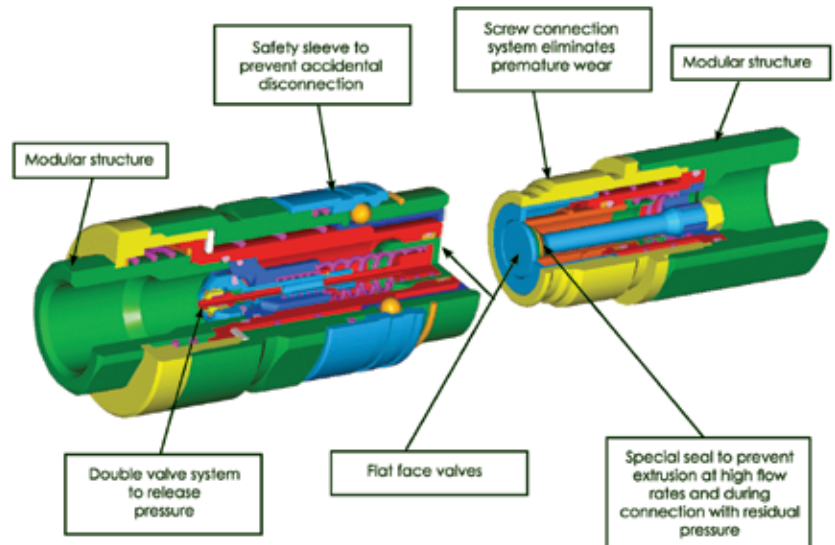
If the safety lock sleeve will not pull back screw in the male coupling until the sleeve will pull back.

### Warning!

- Do not use the female coupling disconnected with impulse pressure at high frequency.
- Do not couple-uncouple with flow in the circuit. Connection only allowed with residual pressure.
- Do not couple-uncouple when the temperature inside of the circuit is higher than 80°C (176°F).
- Do not disconnect the coupling without pulling back the safety sleeve.
- When the couplings are disconnected, it is suggested to use the protection caps.
- It is important to limit contamination in the circuit to avoid compromising the function of the internal valves.

### Materials

Construction material:	High grade carbon steel.
Threaded zone treatment:	nitriding + oxidation (QPQ)
Other Surface treatment:	Zinc plated
External springs:	AISI 302
Internal springs:	C72 steel
Balls:	Hard steel 100 C6
Seals:	standard in NBR (Nitrile), PUR (Polyurethane), POM (Delrin)
Anti-extrusion rings:	PTFE



## Series: VP-P

### Performance

	Size	Max. flow suggested		Connect torque		Disconnect torque		Spillage*
	Inch	l/min	GPM	N	lbf	N	lbf	ml
<b>VP7</b>	1/4	24	6.36	0.6	0.44	0.4	0.29	0.012
<b>VP9P</b>	3/8	46	12.19	0.8	0.59	0.5	0.37	0.040
<b>VP13P</b>	1/2	90	23.85	1.1	0.81	1.0	0.74	0.025
<b>VP15P</b>	5/8	148	39.22	1.1	0.81	1.0	0.74	0.033
<b>VP17P</b>	3/4	200	53.00	2.0	1.47	1.4	1.03	0.018
<b>VP21P</b>	1	378	100.17	2.2	1.62	1.8	1.33	0.060
<b>VP30P</b>	1-1/2	750	198.75	6.5	4.79	3.2	2.36	0.200

	Max. operating pressure						Burst pressure					
	Coupled		Male		Female		Coupled		Male		Female	
	MPa	psi	MPa	psi	MPa	psi	MPa	psi	MPa	psi	MPa	psi
<b>VP7</b>	60	8700	60	8700	42	6090	150	21750	150	21750	126	18270
<b>VP9P</b>	55	7975	55	7975	33	4785	140	20300	140	20300	100	14500
<b>VP13P</b>	55	7975	55	7975	33	4785	140	20300	140	20300	100	14500
<b>VP15P</b>	55	7975	55	7975	33	4785	140	20300	140	20300	100	14500
<b>VP17P</b>	50	7250	50	7250	33	4785	125	18125	125	18125	100	14500
<b>VP21P</b>	47	6815	47	6815	30	4350	120	17400	120	17400	80	11600
<b>VP30P</b>	40	5800	40	5800	27	3915	110	15950	110	15950	80	11600

	Max. residual pressure during connection						Max. residual pressure during disconnect			
	Male to drain		Female to drain		Male and Female		during disconnect			
	MPa	psi	MPa	psi	MPa	psi	MPa	psi	MPa	psi
<b>VP7</b>	30	4350	30	4350	25	3625	25	3625	25	3625
<b>VP9P</b>	25	3625	25	3625	25	3625	25	3625	25	3625
<b>VP13P</b>	25	3625	25	3625	20	2900	20	2900	20	2900
<b>VP15P</b>	25	3625	25	3625	20	2900	20	2900	20	2900
<b>VP17P</b>	25	3625	25	3625	15	2175	15	2175	15	2175
<b>VP21P</b>	25	3625	25	3625	15	2175	15	2175	15	2175
<b>VP30P</b>	25	3625	25	3625	5	725	5	725	5	725

### Dimensions

Description	A	unit	B	C	D	E	F	G	I	M	P	Weight	Male	Female
VP7 1/4 BSP	1/4	mm	22	27	83.9	M24x2	52.8	125.2	29	35	32	Kg	0.393	0.160
VP9P 3/8 BSP	3/8	mm	27	30	94.5	M28x2	64.3	142.3	32	42	38	Kg	0.595	0.240
VP9P 1/2 BSP	1/2	mm	27	30	94.5	M28x2	69.3	147.3	32	42	38	Kg	0.575	0.245
VP13P 1/2 BSP	1/2	mm	36	36	110	M36x3	76.2	167.9	40	49	45	Kg	0.980	0.420
VP13P 3/4 BSP	3/4	mm	36	36	110	M36x3	83.2	174.9	40	49	45	Kg	0.945	0.440
VP15P 3/4 BSP	3/4	mm	36	41	110	M39x3	83.4	174.9	44.8	52	48	Kg	1.055	0.580
VP17P 3/4 BSP	3/4	mm	46	46	127.1	M45x3	96	200.5	49.8	60	55	Kg	1.635	0.955
VP17P 1 BSP	1	mm	46	46	127.1	M45x3	98	202.5	49.8	60	55	Kg	1.585	0.905
VP21P 1 BSP	1	mm	55	55	137	M55x3	104	213.8	59.8	76	70	Kg	2.610	1.495
VP21P 1-1/4 BSP	1-1/4	mm	55	55	137	M55x3	105	214.8	59.8	76	70	Kg	2.510	1.395
VP30P 1-1/4 BSP	1-1/4	mm	65	65	174.7	M72x4	132.2	271.3	85	94	85	Kg	5.220	3.030
VP30P 1-1/2 BSP	1-1/2	mm	65	65	174.7	M72x4	132.2	271.3	85	94	85	Kg	5.120	2.930



QUICK CONNECT COUPLINGS



Stucchi®



## Series: VP-P

Article no.	TYPE	Price £	Price €
<b>BSP THREAD</b>			
801900000	F. VP7P 1/4 BSP	£41.90	€43.20
801900001	M. VP7P 1/4 BSP	£109.80	€113.30
807300002	F. VP9P 3/8 BSP	£48.40	€49.90
807300003	M. VP9P 3/8 BSP	£148.60	€153.20
807300004	F. VP9P 1/2 BSP	£48.40	€49.90
807300005	M. VP9P 1/2 BSP	£148.60	€153.20
807300006	F. VP13P 1/2 BSP	£66.20	€68.30
807300007	M. VP13P 1/2 BSP	£178.90	€184.50
807300008	F. VP13P 3/4 BSP	£66.20	€68.30
807300009	M. VP13P 3/4 BSP	£178.90	€184.50
807300010	F. VP15P 3/4 BSP	£103.90	€107.10
807300011	M. VP15P 3/4 BSP	£216.60	€223.30
807300018	F. VP17P 3/4 BSP	£132.50	€136.60
807300019	M. VP17P 3/4 BSP	£284.50	€293.40
807300012	F. VP17P 1' BSP	£132.50	€136.60
807300013	M. VP17P 1' BSP	£284.50	€293.40
807300022	F. VP21P 1' BSP	£193.30	€199.40
807300023	M. VP21P 1' BSP	£417.00	€430.00
807300014	F. VP21P 1-1/4 BSP	£193.30	€199.40
807300015	M. VP21P 1-1/4 BSP	£417.00	€430.00
807300024	F. VP30P 1-1/4 BSP	£478.60	€493.60
807300025	M. VP30P 1-1/4 BSP	£948.30	€977.90
807300016	F. VP30P 1-1/2 BSP	£478.60	€493.60
807300017	M. VP30P 1-1/2 BSP	£948.30	€977.90



Article no.	TYPE	Price £	Price €
<b>NPT THREAD</b>			
801901004	F. VP7P 1/4 NPT	£44.00	€45.30
801901005	M. VP7P 1/4 NPT	£115.30	€118.90
807301002	F. VP9P 3/8 NPT	£50.80	€52.30
807301003	M. VP9P 3/8 NPT	£156.00	€160.90
807301004	F. VP9P 1/2 NPT	£50.80	€52.30
807301005	M. VP9P 1/2 NPT	£156.00	€160.90
807301006	F. VP13P 1/2 NPT	£69.50	€71.70
807301007	M. VP13P 1/2 NPT	£187.90	€193.70
807301008	F. VP13P 3/4 NPT	£69.50	€71.70
807301009	M. VP13P 3/4 NPT	£187.90	€193.70
807301010	F. VP15P 3/4 NPT	£109.10	€112.50
807301011	M. VP15P 3/4 NPT	£227.40	€234.50
807301019	F. VP17P 3/4 NPT	£139.10	€143.40
807301018	M. VP17P 3/4 NPT	£298.70	€308.10
807301012	F. VP17P 1' NPT	£139.10	€143.40
807301013	M. VP17P 1' NPT	£298.70	€308.10
807301021	F. VP21P 1' NPT	£203.00	€209.30
807301020	M. VP21P 1' NPT	£437.80	€451.50
807301014	F. VP21P 1-1/4 NPT	£203.00	€209.30
807301015	M. VP21P 1-1/4 NPT	£437.80	€451.50
807301022	F. VP30P 1-1/4 NPT	£502.60	€518.30
807301023	M. VP30P 1-1/4 NPT	£995.70	€1,026.80
807301016	F. VP30P 1-1/2 NPT	£502.60	€518.30
807301017	M. VP30P 1-1/2 NPT	£995.70	€1,026.80
<b>SAE THREAD</b>			
807304020	F. VP9P 3/8 SAE	£50.80	€52.30
807304021	M. VP9P 3/8 SAE	£156.00	€160.90
807304002	F. VP9P 1/2 SAE	£50.80	€52.30
807304003	M. VP9P 1/2 SAE	£156.00	€160.90
807304004	F. VP9P 5/8 SAE	£50.80	€52.30
807304005	M. VP9P 5/8 SAE	£156.00	€160.90
807304022	F. VP13P 1/2 SAE	£69.50	€71.70
807304023	M. VP13P 1/2 SAE	£187.90	€193.70
807304006	F. VP13P 5/8 SAE	£69.50	€71.70
807304007	M. VP13P 5/8 SAE	£187.90	€193.70
807304008	F. VP13P 3/4 SAE	£69.50	€71.70
807304009	M. VP13P 3/4 SAE	£187.90	€193.70
807304010	F. VP15P 3/4 SAE	£109.10	€112.50
807304011	M. VP15P 3/4 SAE	£227.40	€234.50
807304024	F. VP17P 3/4 SAE	£139.10	€143.40
807304025	M. VP17P 3/4 SAE	£298.70	€308.10
807304012	F. VP17P 1' SAE	£139.10	€143.40
807304013	M. VP17P 1' SAE	£298.70	€308.10
807304026	F. VP21P 1' SAE	£203.00	€209.30
807304027	M. VP21P 1' SAE	£437.80	€451.50
807304014	F. VP21P 1-1/4 SAE	£203.00	€209.30
807304015	M. VP21P 1-1/4 SAE	£437.80	€451.50
807304028	F. VP30P 1-1/4 SAE	£502.60	€518.30
807304029	M. VP30P 1-1/4 SAE	£995.70	€1,026.80
807304016	F. VP30P 1-1/2 SAE	£502.60	€518.30
807304017	M. VP30P 1-1/2 SAE	£995.70	€1,026.80

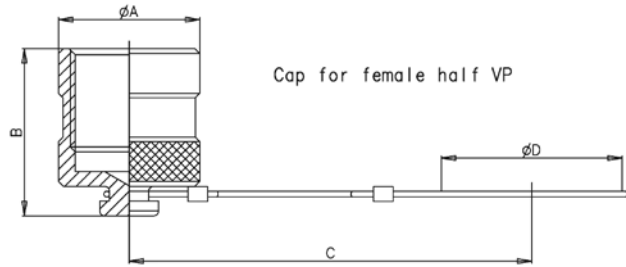
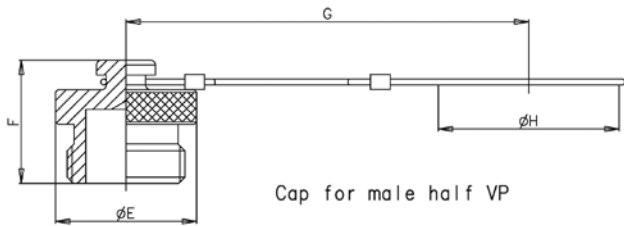
# Protective Dust Caps for Flat Face Couplings

For VP-P Series

## Protection Caps for VP-P Series - Aluminium

Standard caps are RED. Also available in white on request.

Temperature range: from -20°C to +100°C (from -4°F to +212°F).



Coupling	Unit	A	B	C	D	E	F	G	H	Weight Kg
F-VP7	mm	28.8	34	150	24	-	-	-	-	0.025
M-VP7	mm	-	-	-	-	28.8	25	150	24	0.020
F-VP9P	mm	32.8	37	170	24	-	-	-	-	0.035
M-VP9P	mm	-	-	-	-	32.8	25	170	24	0.025
F-VP13P	mm	41.8	43	210	33	-	-	-	-	0.065
M-VP13P	mm	-	-	-	-	40.8	32	210	33	0.045
F-VP15P	mm	44.8	43	210	36	-	-	-	-	0.060
M-VP15P	mm	-	-	-	-	43.8	32	210	36	0.055
F-VP17P	mm	51.8	48	240	41	-	-	-	-	0.090
M-VP17P	mm	-	-	-	-	50.7	32	240	41	0.075
F-VP21P	mm	61.8	51	270	51	-	-	-	-	0.115
M-VP21P	mm	-	-	-	-	61.2	34	270	51	0.130
F-VP30P	mm	78.8	65	340	57	-	-	-	-	0.210
M-VP30P	mm	-	-	-	-	79.3	42	340	57	0.215

Article no.	Price £	Price €
<b>815300050</b>	<b>£17.90</b>	<b>€18.40</b>
<b>815300051</b>	<b>£16.90</b>	<b>€17.40</b>
<b>815300052</b>	<b>£18.80</b>	<b>€19.40</b>
<b>815300053</b>	<b>£16.90</b>	<b>€17.40</b>
<b>815300054</b>	<b>£27.70</b>	<b>€28.50</b>
<b>815300055</b>	<b>£25.30</b>	<b>€26.10</b>
<b>815300056</b>	<b>£35.30</b>	<b>€36.40</b>
<b>815300057</b>	<b>£32.80</b>	<b>€33.80</b>
<b>815300058</b>	<b>£42.20</b>	<b>€43.60</b>
<b>815300059</b>	<b>£40.40</b>	<b>€41.60</b>
<b>815300060</b>	<b>£52.60</b>	<b>€54.20</b>
<b>815300061</b>	<b>£47.90</b>	<b>€49.40</b>
<b>815300062</b>	<b>£57.30</b>	<b>€59.10</b>
<b>815300063</b>	<b>£55.50</b>	<b>€57.20</b>

QUICK CONNECT COUPLINGS

