

SERIES: IRBX - Stainless Steel

ISO 'B' Stainless Steel - VITON

Technical Features and Options

- Interchangeability: ISO 7241-1 series "B"
- Valve system: Poppet valve
- Mechanical connection: Locking balls
- Connection system: Pulling back the sleeve and pushing one half towards the other
- Disconnection system: Pulling back the sleeve
- Connection with residual pressure: Not allowed
- Disconnection with residual pressure: Not allowed
- Threads available: BSP, NPT
- On request: Free flow version (no valving)
- Temperature range:
Standard seals VITON: from -15°C to +180°C
NBR (Nitrile) seals: from -20°C to +100°C
EPDM (Ethylene Propylene) seals: from -40°C to +150°C



QUICK CONNECT COUPLINGS



Article no.	Description	Price £	Price €
BSP Thread - VITON Seals - All 316 S/S			
804600112	INN.F. IRBX14X BSP	£82.10	€84.70
804600113	INN. M. IRBX14X BSP	£37.00	€38.10
804600132	INN. F. IRBX38X BSP	£89.00	€91.70
804600133	INN. M. IRBX38X BSP	£38.30	€39.50
804600128	INN. F. IRBX12X BSP	£109.50	€112.90
804600129	INN. M. IRBX12X BSP	£43.80	€45.10
804600126	INN. F. IRBX34X BSP	£150.60	€155.30
804600127	INN. M. IRBX34X BSP	£71.20	€73.40
804600134	INN. F. IRBX100X BSP	£232.60	€239.90
804600135	INN. M. IRBX100X BSP	£106.80	€110.10

Article no.	Description	Price £	Price €
NPT Thread - BRASS Internals			
804601100	F. IRB18 NPT	£105.00	€108.30
804601101	M. IRB18 NPT	£47.40	€48.90
804601102	F. IRB14 NPT	£105.00	€108.30
804601103	M. IRB14 NPT	£47.40	€48.90
804601104	F. IRB38 NPT	£101.20	€104.30
804601105	M. IRB38 NPT	£45.90	€47.40
804601106	F. IRB12 NPT	£129.10	€133.10
804601107	M. IRB12 NPT	£56.00	€57.80
804601108	F. IRB34 NPT	£199.90	€206.10
804601109	M. IRB34 NPT	£81.60	€84.10
804601110	F. IRB100 NPT	£307.40	€317.00
804601111	M. IRB100 NPT	£140.30	€144.70

Materials

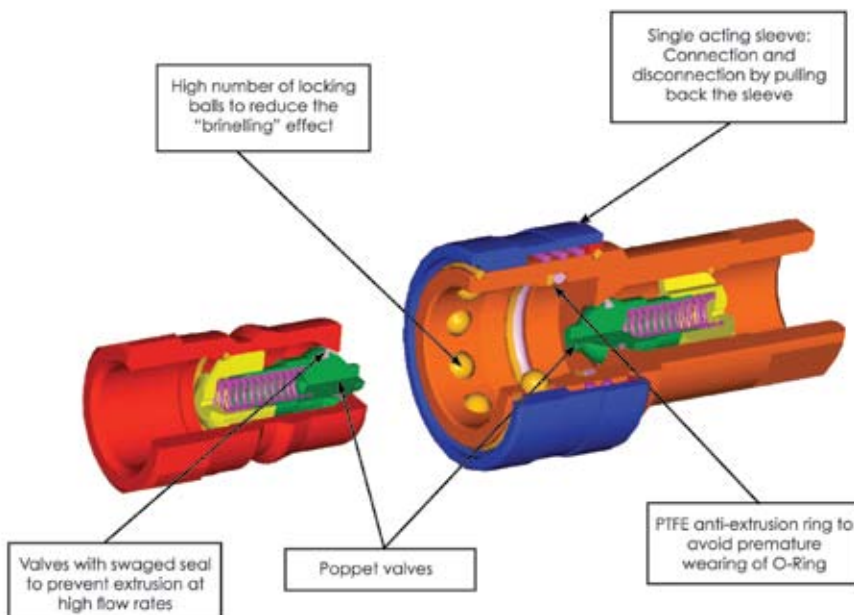
Construction material: Stainless steel AISI 316
 Internal retainer: 316 S/S
 Springs: AISI 302
 Balls: AISI 316
 Seals: standard in VITON
 Seals on request: NBR, EPDM
 Anti-extrusion rings: PTFE
 On request: Internal retainer in AISI 316

How To Use

- Before connecting, clean the mating parts of the couplings to avoid contamination into the circuit.
- To couple pull back the sleeve of the female coupling, align the female with the male coupling and push one into the other until both halves are fully connected and release the sleeve.
- To uncouple pull back the sleeve of the female coupling, pull out the male half.

Warning!

- Do not couple-uncouple with flow and/or pressure in the circuit.
- Use protection whenever connecting or disconnecting with high temperature (max. allowed 80°C, 176°F).
- When the couplings are disconnected, we recommend the use of protection caps.



SERIES: IRBX

ISO 'B' Stainless Steel - VITON

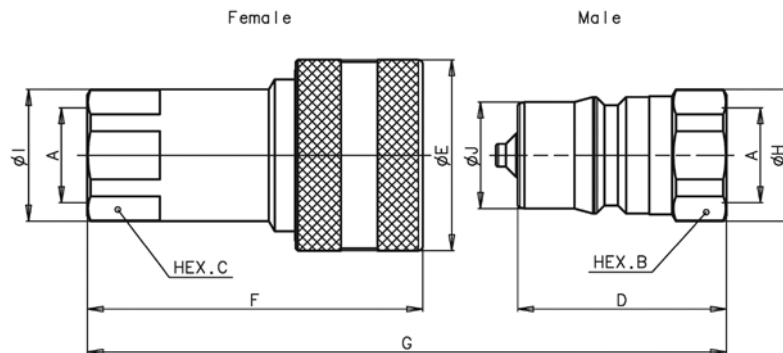


Performance

	Size	ISO Size	Max. flow suggested		Connect force		Disconnect force		Spillage*
	Inch	mm	l/min	GPM	N	lbf	N	lbf	ml
IRBX18	1/8	5,0	6	1,59	75	16,88	35	7,88	0,18
IRBX14	1/4	6,3	24	6,36	60	13,50	30	6,75	0,33
IRBX38	3/8	10,0	46	12,19	90	20,25	35	7,88	2,20
IRBX12	1/2	12,5	90	23,85	125	28,13	45	10,13	3,00
IRBX34	3/4	20,0	148	39,22	135	30,38	55	12,38	9,40
IRBX100	1	25,0	200	53,00	140	31,50	40	9,00	14,00

* Spillage is an indicative value of the fluid loss per couple-uncouple cycle.

	Max. operating pressure						Burst pressure					
	Coupled		Male		Female		Coupled		Male		Female	
	MPa	psi	MPa	psi	MPa	psi	MPa	psi	MPa	psi	MPa	psi
IRBX18	25	3625	25	3625	25	3625	140	20300	140	20300	140	20300
IRBX14	25	3625	25	3625	25	3625	140	20300	140	20300	140	20300
IRBX38	20	2900	20	2900	20	2900	100	14500	100	14500	100	14500
IRBX12	20	2900	20	2900	20	2900	100	14500	100	14500	100	14500
IRBX34	16	2320	16	2320	16	2320	80	11600	80	11600	80	11600
IRBX100	12,5	1813	12,5	1813	12,5	1813	60	8700	60	8700	60	8700



Dimensions (mm)

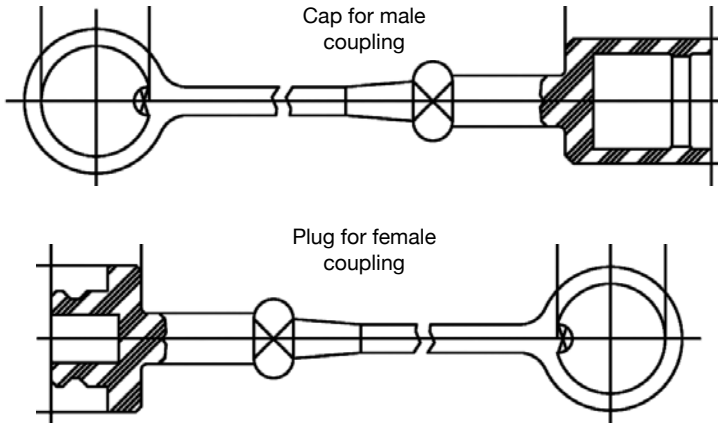
Description	A	B	C	D	E	F	G	H	I	J	Weight	Male	Female
IRBX18 BSP	1/8	14	14	30	23	48,8	60,5	15,8	15,8	10,8	Kg	0,018	0,069
IRBX14 BSP	1/4	19,1	9	35	27	57	70,7	20,8	21,2	14,2	Kg	0,036	0,123
IRBX38 BSP	3/8	24	24	41	34	66	82,7	26	27	19,1	Kg	0,069	0,225
IRBX12 BSP	1/2	27	27	46	42	73,9	92,6	29	29	23,5	Kg	0,104	0,326
IRBX34 BSP	3/4	36	36	55	50	90,1	111,1	38,5	38,5	31,4	Kg	0,205	0,575
IRBX100 BSP	1	41	41	66	60	106,2	133,2	44,8	44,8	37,7	Kg	0,336	0,880



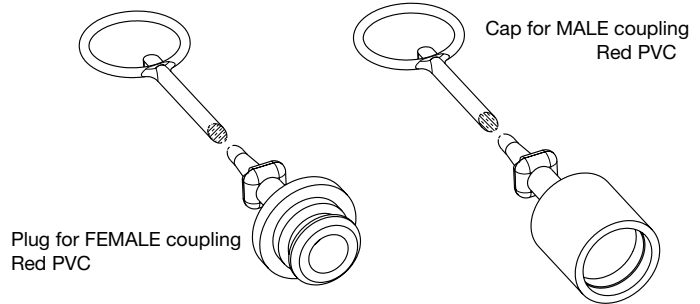
Protection Caps ISO 'B' IRB Series

Red dust caps are standard

Protective caps are always recommended to protect the couplings from damage, dirt inclusion, and will increase the product life. The protective caps for IRBX series are manufactured in PVC with connection lanyard (standard color red)



Article no.	Description	Price £	Price €
RED CAP FOR ISO B			
815000032	PLUG F. IRB14 RED	£1.90	€2.00
815000033	CAP M. IRB14 RED	£1.90	€2.00
815000034	PLUG F. IRB38 RED	£1.90	€2.00
815000035	CAP M. IRB38 RED	£1.90	€2.00
815000036	PLUG F. IRB12 RED	£1.90	€2.00
815000037	CAP M. IRB12 RED	£1.90	€2.00
815000038	PLUG F. IRB34 RED	£2.10	€2.20
815000039	CAP M. IRB34 RED	£2.10	€2.20
815000040	PLUG F. IRB100 RED	£2.70	€2.80
815000041	CAP M. IRB100 RED	£2.70	€2.80



QUICK CONNECT COUPLINGS



Stucchi®