

Series: IRCX

316 Stainless Steel

Interchangeable with Similar Couplings (Nordic Interface)

Technical Features and Options

- Valve system: Poppet
- Connection system: Single acting sleeve
- Connection under pressure: not allowed
- Locking mechanism: Ball locking + safety sleeve
- Available threads: NPT - BSP
- Flow rate: Up to 378 L/Min
- Sizes available: 1/4" to 1"
- Operation pressure: up to 300 BAR
- Temperature range: -20°C to +100°C

Benefits

- The poppet valve with elastomer seal provides maximum sealing of the couplings once disconnected.
- O-Ring + BackUp ring for optimum protection sealing.
- Additional O-Ring for extra sealing capacity and to contain spray effect to avoid soil contamination.
- High durability.
- Reference products for tough applications, typically used in Nordic countries.
- Safety sleeve to prevent accidental disconnection.
- Shape of internal parts is optimized to reduce turbulence and pressure drop.
- High resistance to pressure impulses.
- Compact design.
- Simple to use.

Materials

Construction: Stainless steel AISI 316L
 Springs: AISI 302
 Locking ball: AISI 316

Performance

	Size	ISO Size	Max. flow suggested		Connect force		Disconnect force		Spillage*
	Inch	mm	l/min	GPM	Nm	lbf	Nm	lbf	ml
IRC14	1/4	6.3	24	6.36	60	13.48	30	6.74	1.1
IRC38	3/8	10	46	12.19	90	20.23	35	7.86	2.5
IRC12	1/2	12.5	90	23.85	120	26.97	35	7.86	3.5
IRC34	3/4	20	212	56.18	170	38.21	45	10.11	15
IRC100	1	25	378	100.17	210	47.20	45	10.11	18

	Max. operating pressure						Burst pressure					
	Coupled		Male		Female		Coupled		Male		Female	
	MPa	psi	MPa	psi	MPa	psi	MPa	psi	MPa	psi	MPa	psi
IRC14X	30	4350	30	4350	30	4350	120	17400	120	17400	120	17400
IRC38 X	30	4350	25	3625	25	3625	120	17400	100	14500	100	14500
IRC12X	30	4350	25	3625	25	3625	120	17400	100	14500	100	14500
IRC34 X	20	2900	20	2900	20	2900	80	11600	80	11600	80	11600
IRC100X	20	2900	15	2175	15	2175	80	11600	60	8700	60	8700

*Spillage is an indicative value of the fluid loss during disconnection (according to ISO 7241-2 test method)

Warning!

A defect, a wrong choice or an improper use of products, can cause injury to persons, animals and objects.

Never connect or disconnect with dynamic pressure (e.g. pump on).

Do not use the coupling disconnected with high impulse pressure.

Do not couple-uncouple with flow and/or pressure in the circuit.

Do not couple-uncouple when the temperature inside of the circuit is higher than 80°C (176°F).

Check the maximum allowable working pressure of the port in use.

Make sure that the medium used is compatible with seal and material as indicated for each series.

In case of doubt please contact Stucchi Technical Support.

The interchangeability is mentioned under the assumption that the manufacturer of the considered products has not changed any dimension.

It is MANDATORY to read and closely follow the instructions. Last updated version always apply at time of installation, see latest written Instructions on Stucchi website (www.stucchi.it) before selecting or using Stucchi products.



How To Use

- Before to connect, clean the mating surface of the couplings to avoid dirt inclusion in the circuit.
- To connect: pull back the sleeve of the female coupling, align the female with the male coupling and push one into the other until both halves are fully connected and release the sleeve.
- To avoid accidental disconnection rotate safety sleeve.
- To disconnect: unlock the safety sleeve and pull back the sleeve of the female coupling, pull out the mating half.

Tests performed:

The couplings have been tested at max. operating pressure for 200.000 impulses according to ISO 7241-2 test method.

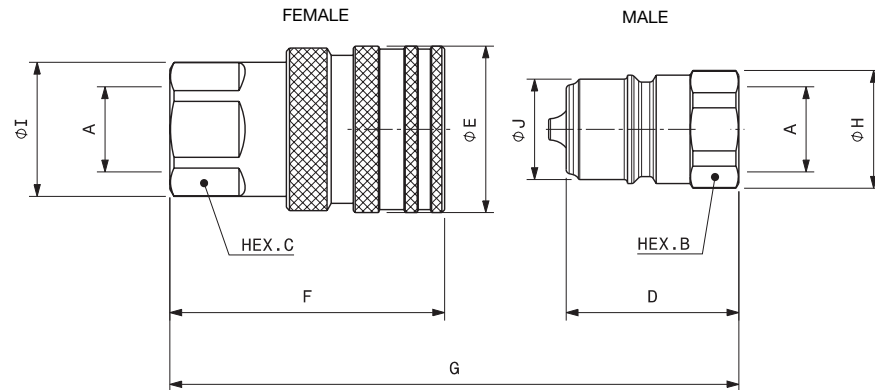




Series: IRCX

316 Stainless Steel

Interchangeable with Similar Couplings (Nordic Interface)



Dimensions (mm) - FEMALE THREAD BSPP (ISO 1179-1 & DIN 3852-2 form X)

		Article no.	Price £	Price €	Port (A)	G	F	D	HEX. B	HEX. C	H	I	E	J	Weight
IRC14X	Female	808900100	£211.90	€218.60	1/4"	81.7	61.6	38.0	22.0	24.0	24	26	35	19.9	0.05kg
	Male	808900101	£75.00	€77.40											
IRC38X	Female	808900102	£240.40	€247.90	3/8"	76.4	67.6	42.5	27.0	30.0	29	33	41	24.7	0.06kg
	Male	808900103	£86.20	€88.90											
IRC12X	Female	808900104	£270.90	€279.40	1/2"	85.2	76.2	47.0	36.0	38.0	39	41.6	52	32.7	0.10kg
	Male	808900105	£103.10	€106.30											
IRC34X	Female	808900106	£380.20	€392.10	3/4"	94.6	92.0	56.5	45.0	45.0	48.0	48.0	62	40.9	0.19kg
	Male	808900107	£154.30	€159.10											
IRC100X	Female	808900108	£585.50	€603.80	1"	113.4	92.0	56.5	45.0	45.0	48.0	48.0	62	40.9	0.35kg
	Male	808900109	£249.00	€256.80											



Stucchi®

IRCX & IRC SERIES - PROTECTION CAPS

Protective caps are always recommended to protect the couplings from damage, dirt inclusion, and will increase the product life. This is particularly important in mobile applications where exposure to weather and aggregate materials are common.

The protective caps for IRC/IRCX couplings are manufactured in PVC with connection lanyard.

Size	Description	Material	Article no.	Price £	Price €
1/4"	IRC14 PLUG for Female	PVC	815109052	£3.50	€3.60
1/4"	IRC14 CAP for Male	PVC	815109053	£3.50	€3.60
3/8"	IRC38 PLUG for Female	PVC	815109054	£3.70	€3.80
3/8"	IRC38 CAP for Male	PVC	815109055	£3.70	€3.80
1/2"	IRC12 PLUG for Female	PVC	815109056	£4.40	€4.50
1/2"	IRC12 CAP for Male	PVC	815109057	£4.40	€4.50
3/4"	IRC34 PLUG for Female	PVC	815109058	£5.10	€5.30
3/4"	IRC34 CAP for Male	PVC	815109059	£5.10	€5.30
1"	IRC100 PLUG for Female	PVC	815109060	£5.40	€5.50
1"	IRC100 CAP for Male	PVC	815109061	£5.40	€5.50

BackUp ring in Teflon®

