

Inductive Proximity Switches - IP67 Rated

Fitted to High Pressure Ball Valves



IND units combine two distinct inductive proximity sensors in a single, double insulated, IP 67 housing. One sensor provides a signal when the valve is open, the other when it is closed. The units are invaluable for confirming that power-operated and manual valves are in the appropriate position for correct and safe operation in all types of process plant.

VDI / VDE 3845 is a guideline which defines, amongst other things, the mechanical mounting arrangements for fitting switch boxes to actuators. The IND units have been specifically designed to conform to and take advantage of this guideline, allowing them to be fitted to the majority of actuators with the minimum of effort.

Clearly visible position indicators:

LEDs indicate current position and switching status as well as markings located on the target puck.

Robust housing:

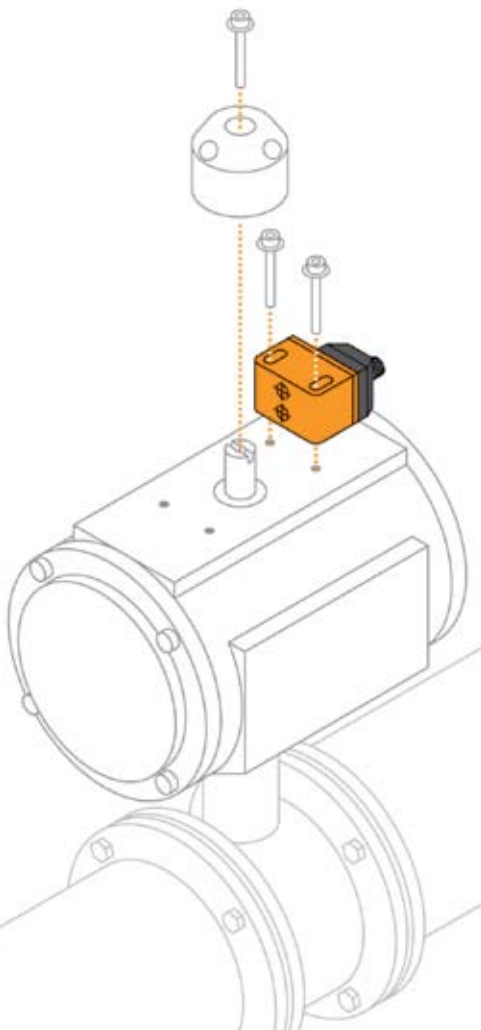
IND type sensors incorporate two distinct inductive elements in a housing sealed to IP 67. The tough housing will also withstand impacts allowing their use in any application.

Compatible with VDI / VDE 3845:

All IND sensors are compatible with VDI / VDE 3845 guidelines meaning they are simple to fit to nearly any actuator.

Connection opportunities:

Versions with integrated AS-i chips allow simple addition to AS-i networks, M12 cabled versions and units with a terminal chamber mean that ifm's INDs are the simplest choice for valve control.



Article no.	Price £	Price €
IPSFIT2	£283.50	€340.10
- Valve position feedback sensor for 24v DC operation - 2 off 3 wire outputs (common supply) - with 4 pin M12 connector - position feedback sensor included (555602) - target puck included (555422)		
Optional 2mtr cable with M12 connector		
ECV001	£14.10	€16.90