

# VUSF – Shuttle Valves

350 BAR Rated

Article no.	Size BSP	Max Pressure BAR	Max Flow l/min	Price £	Price €
<b>VUSF140</b>	1/4"	350	20	<b>£18.90</b>	<b>€19.40</b>
<b>VUSF380</b>	3/8"	350	40	<b>£18.90</b>	<b>€19.40</b>
<b>VUSF120</b>	1/2"	350	60	<b>£29.80</b>	<b>€30.70</b>

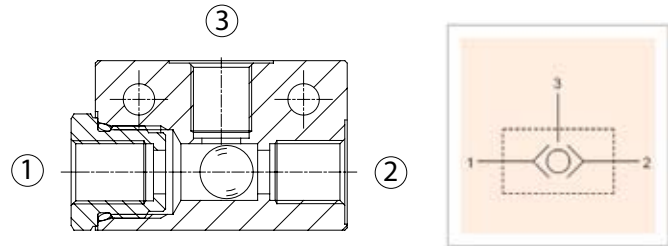


HYDRAULIC VALVES

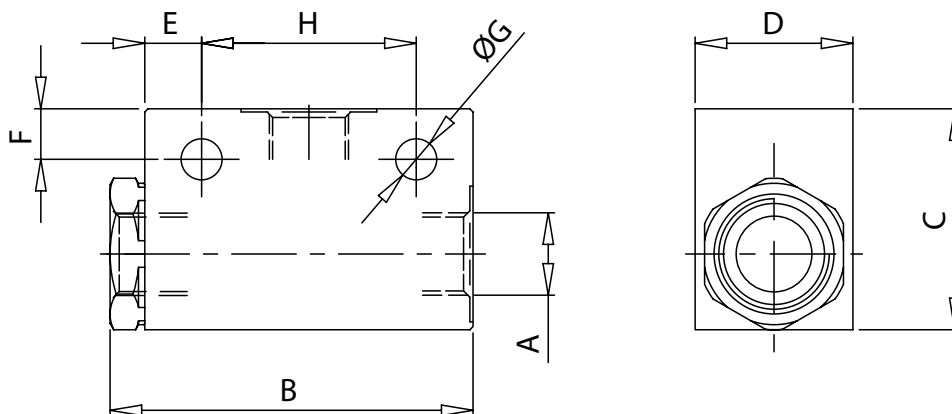
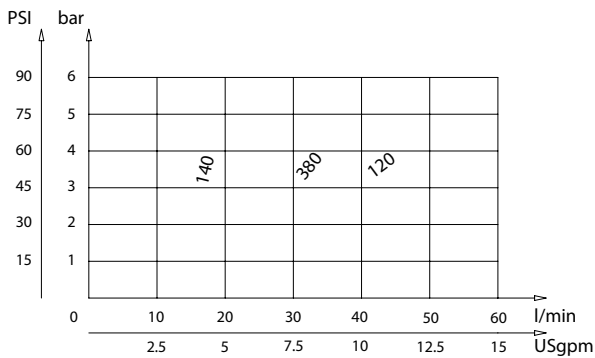
## Technical Data

Mineral oil	ISO 6743/4 DIN 51524
Fluid viscosity	10-500 mm <sup>2</sup> /s 45 to 2000 ssu (6 to 420 cSt)
Max contamination index with filter	ISO 4406:1999
Fluid temperature	-20°C +80°C
Ambient temperature	-20°C +50°C

It is necessary a filter use to protect the valve (advised filtration 15 micron)



## Pressure Drop Graph



## Dimensions (mm)

Code	A	B	C	D	E	F	G	H	Weight kg
VUSF140N	BSPP 1/4	57	35	25	9	8	6.5	34	0.29
VUSF380N	BSPP 3/8	69	40	25	8	8	6.5	44	0.35
VUSF120N	BSPP 1/2	73.5	50	30	10	10	8.5	50	0.65