

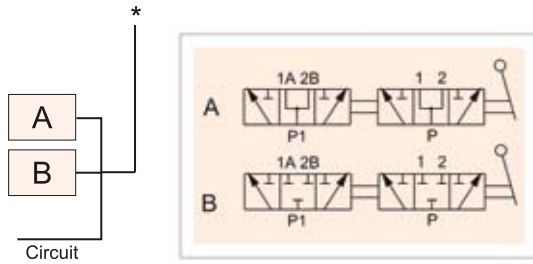
# DDF6 – 6 Way Flow Diverters

300 – 220 BAR Rated

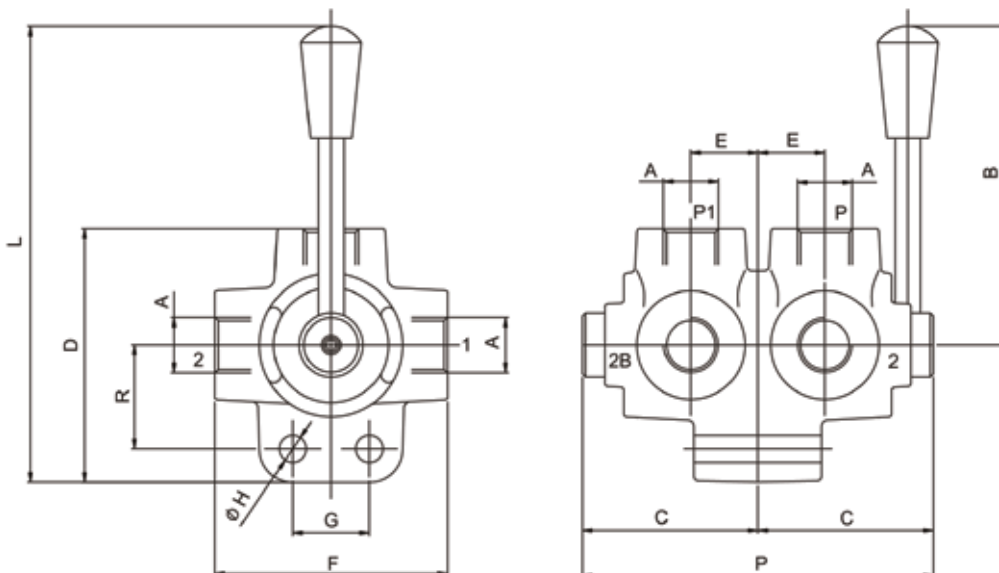
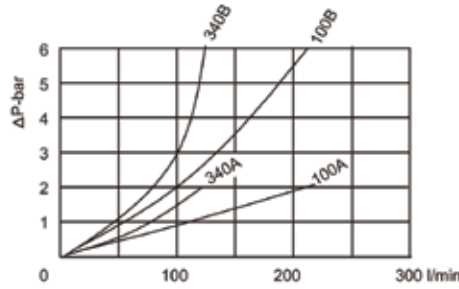
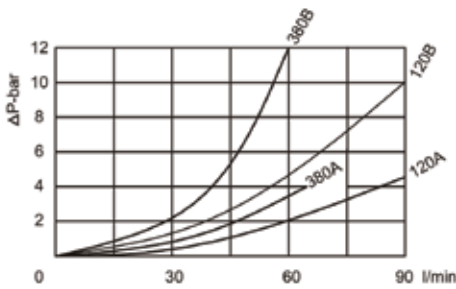


HYDRAULIC VALVES

Article no.	Size BSP	Max Pressure BAR	Max Flow l/min	Price £	Price €
DDF6140*	1/4"	300	40+40	£88.10	€90.80
DDF6380*	3/8"	300	60+60	£88.10	€90.80
DDF6120*	1/2"	250	90+90	£112.20	€115.60
DDF6340*	3/4"	220	120+120	£123.80	€127.50
DDF6100*	1"	220	200+200	£165.50	€170.50



## Pressure Drop Graph



## Dimensions (mm)

Code	A	B	D	E	F	G	H	L	P	R	Weight kg
DDF6380	BSPP 3/8	115	75.5	21	70	25	8.5	155.5	112	32	1.50
DDF6120	BSPP 1/2	115	86	24	80	32	8.5	161	124	36	2.30
DDF6340	BSPP 3/4	115	98.5	26	90	32	10.5	168.5	132	42	3.50
DDF6100	BSPP 1	115	110	31	98	32	10.5	176.5	152	50	5.30