

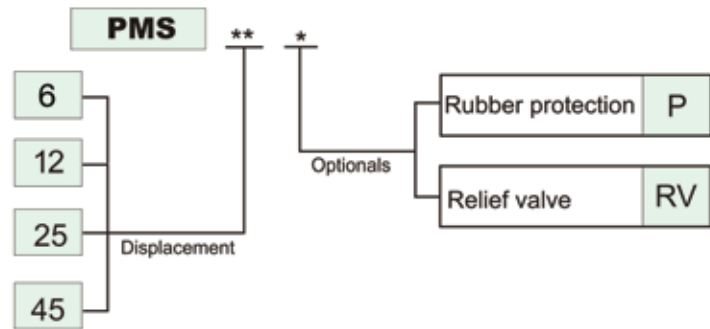
PMS – Lever Operated Hand Pump

Article no.	Max Pressure BAR	Price £	Price €
PMS6	450	£159.70	€164.60
PMS12	250	£162.60	€167.60
PMS25	130	£165.50	€170.50
PMS45	80	£168.40	€173.50
Rubber Protection		£7.30	€7.50
Relief Valve Option		£14.50	€15.00

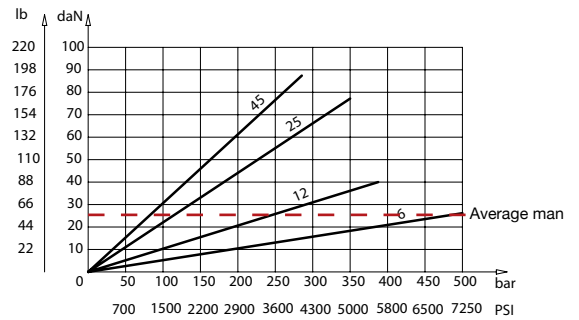


HAND PUMPS

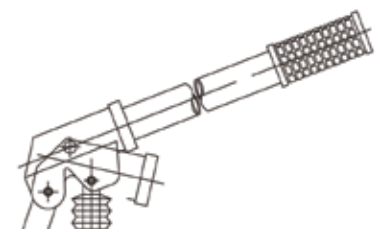
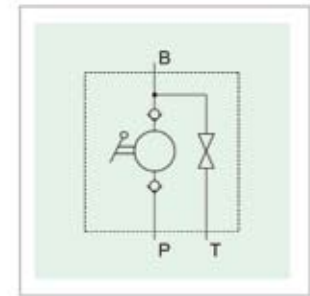
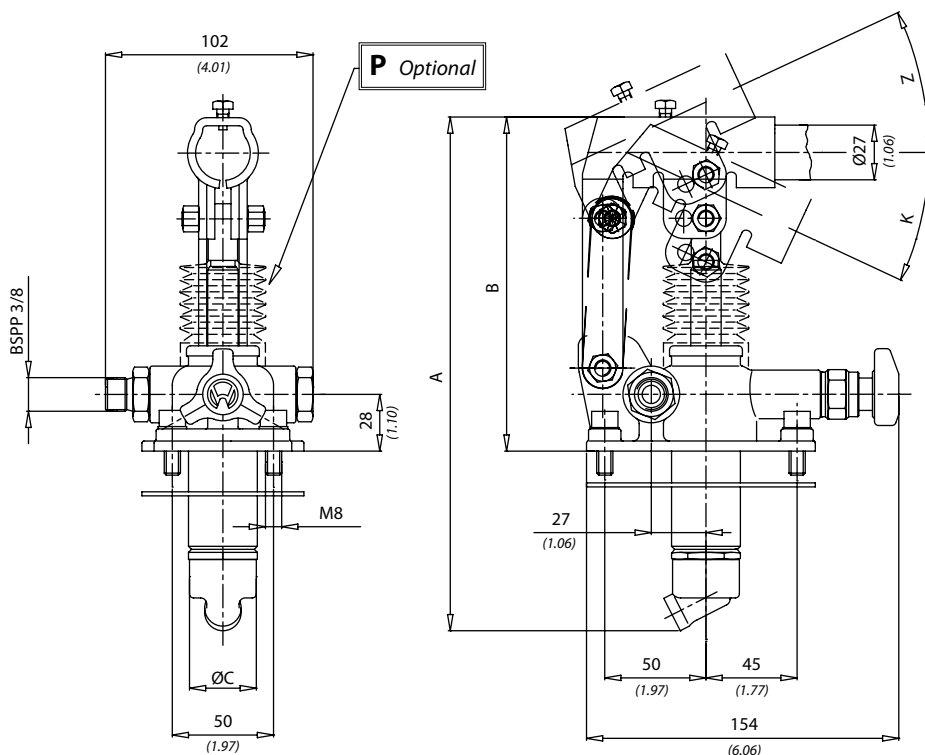
Ordering Code



Effort (daN) operating on the end of the lever
Average man will generate 25 daN force



Dimensions



Lever = 600mm
Oil flow in both directions of lever action.

mm
(Inches)

Y	Displacement	K	Z	A	B	C	Weight Kg
6	6 cm ³ (0.36 in ³)	31°	26°	253 (9.96)	166 (6.53)	34 (1.33)	3.9
12	12 cm ³ (0.73 in ³)	31°	35°				
25	25 cm ³ (1.52 in ³)	30°	25°	273 (10.74)	172 (6.77)		
45	45 cm ³ (2.75 in ³)	33°	35°	283 (11.14)		40 (1.57)	