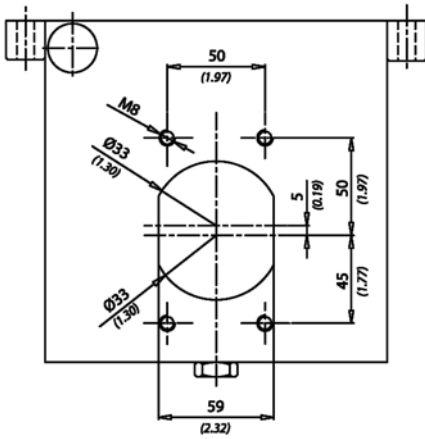




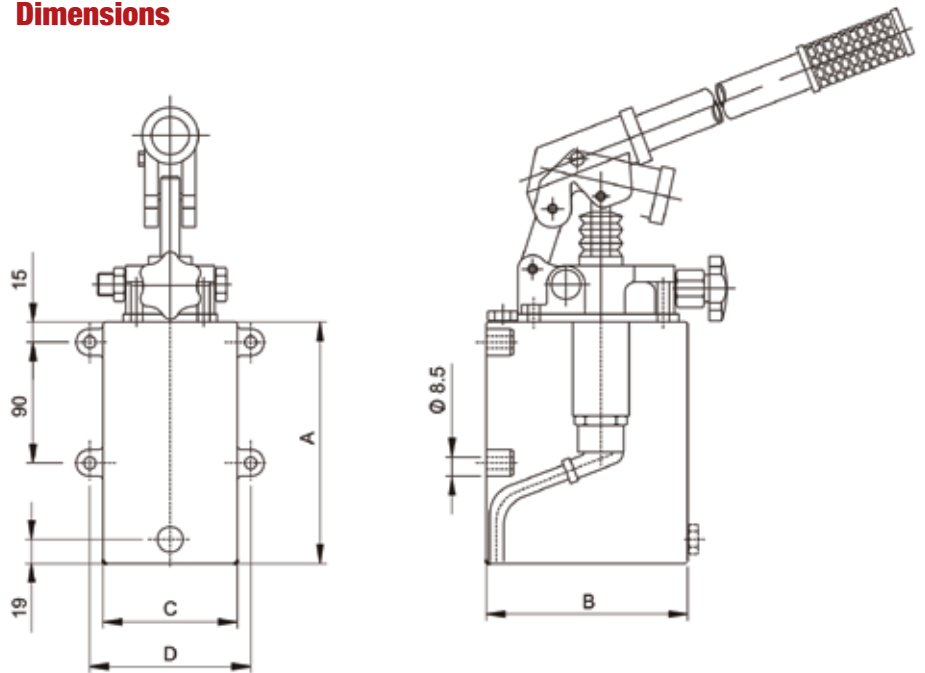
## TNK – Steel Reservoirs

Article no.	Size Ltr	Price £	Price €
<b>TNK1</b>	1	<b>£60.40</b>	<b>€62.20</b>
<b>TNK2</b>	2	<b>£64.00</b>	<b>€66.00</b>
<b>TNK3</b>	3	<b>£70.60</b>	<b>€72.80</b>
<b>TNK5</b>	5	<b>£87.80</b>	<b>€90.40</b>
<b>TNK7</b>	7	<b>£103.00</b>	<b>€106.10</b>
<b>TNK10</b>	10	<b>£124.40</b>	<b>€128.20</b>

### Dimensions



Drilling to be carried out on the tank for the pump fixing



Code	Capacity	A	B	C	D	Weight Kg
TNK1	1	120	150	100	120	2.0
TNK2	2	180	150	100	120	2.2
TNK3	3	247	150	100	120	2.5
TNK5	5	200	175	175	195	4.5
TNK7	7	269	175	175	195	5.4
TNK10	10	376	175	175	195	6.8