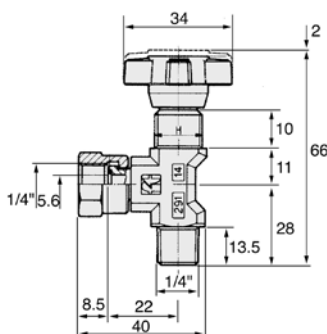




Features

- Swivel Gauge Thread 1/4" BSP Parallel with Nitril 'O' Ring Seal
- Male System Thread BSP Taper

Gauge Isolator Valves



Angled Gauge Isolator Needle Valve with Male Taper Thread Type FT 291-14

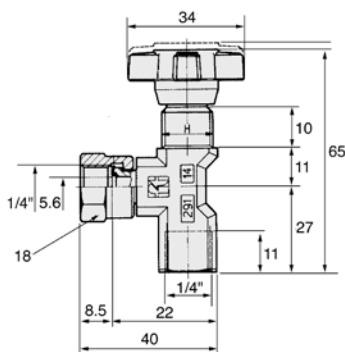
Maximum Pressure 400 BAR/6000 PSI
Carbon Steel

Article no.	Size	Price £	Price €
206005	1/4"	£18.20	€18.80
Panel Mounting Nut			
207014		£2.60	€2.70



Features

- Swivel Gauge Thread 1/4" BSP Parallel with Nitril 'O' Ring Seal
- Female System Thread BSP Taper



Angled Gauge Isolator Needle Valve with Female Parallel Thread Type FT 291-01

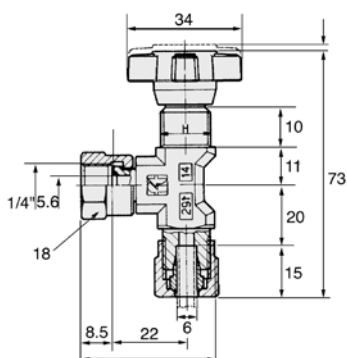
Maximum Pressure 400 BAR/6000 PSI
Carbon Steel

Article no.	Size	Price £	Price €
206006	1/4"	£28.30	€29.20
Panel Mounting Nut			
207014		£2.60	€2.70



Features

- Swivel Gauge Thread 1/4" BSP Parallel with Nitril 'O' Ring Seal
- DIN 2353 Compression System Connection Suit 6S Tube



Angled Gauge Isolator Needle Valve with 6mm Compression Connection Type FT 291-04

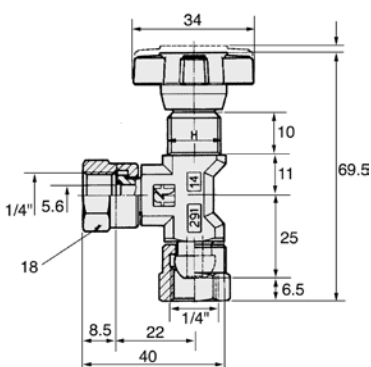
Maximum Pressure 400 BAR/6000 PSI
Carbon Steel

Article no.	Size	Price £	Price €
206007	1/4"	£37.50	€38.70
Panel Mounting Nut			
207014		£2.60	€2.70



Features

- Swivel Gauge Thread 1/4" BSP Parallel with Nitril 'O' Ring Seal
- Swivel BSP Female System Connection (with 60° Cone)



Angled Gauge Isolator Needle Valve with Swivel Female Connection Type FT 291-05

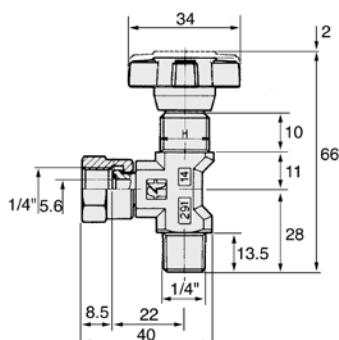
Maximum Pressure 400 BAR/6000 PSI
Carbon Steel

Article no.	Size	Price £	Price €
206008	1/4"	£36.50	€37.70
Panel Mounting Nut			
207014		£2.60	€2.70



Features

- Swivel Gauge Thread 1/4" BSP Parallel with Nitril 'O' Ring Seal
- Male System Thread BSP Taper



Angled Gauge Isolator Needle Valve Type FT 2291-14

Maximum Pressure 400 BAR/6000 PSI
Stainless Steel (316)

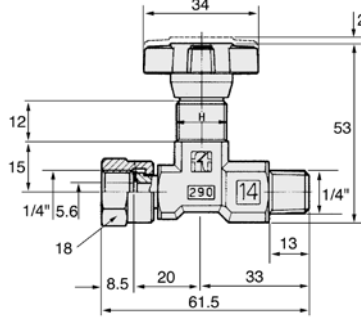
Article no.	Size	Price £	Price €
94087	1/4"	£132.70	€136.80
Panel Mounting Nut			
207014		£2.60	€2.70

Gauge Isolator Valves

Inline Gauge Isolator Needle Valve with Male Taper Thread Type FT 290-14

Maximum Pressure 400 BAR/6000 PSI
Carbon Steel

Article no.	Size	Price £	Price €
206001	1/4"	£18.20	€18.80
306012	1/2"	£64.80	€66.80
Panel Mounting Nut			
207014		£2.60	€2.70



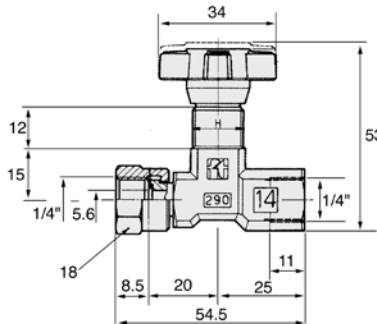
Features

- Swivel Gauge Thread 1/4" BSP Parallel with Nitril 'O' Ring Seal
- Male System Thread BSP Taper

Inline Gauge Isolator Needle Valve with Female Parallel Thread Type FT 290-01

Maximum Pressure 400 BAR/6000 PSI
Carbon Steel

Article no.	Size	Price £	Price €
206002	1/4"	£28.30	€29.20
Panel Mounting Nut			
207014		£2.60	€2.70



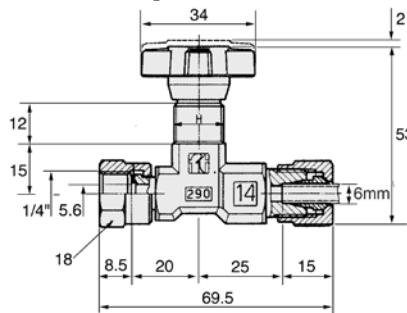
Features

- Swivel Gauge Thread 1/4" BSP Parallel with Nitril 'O' Ring Seal
- Female System Thread BSP Taper

Inline Gauge Isolator Needle Valve with 6mm Compression Connection Type FT 290-04

Maximum Pressure 400 BAR/6000 PSI
Carbon Steel

Article no.	Size	Price £	Price €
206003	1/4"	£37.50	€38.70
Panel Mounting Nut			
207014		£2.60	€2.70



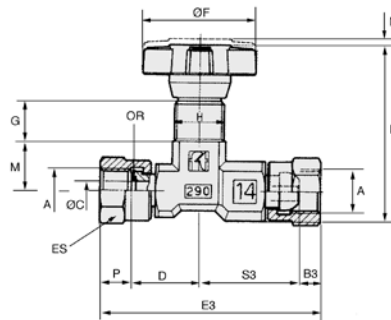
Features

- Swivel Gauge Thread 1/4" BSP Parallel with Nitril 'O' Ring Seal
- DIN 2353 Compression System Connection Suit 6S Tube

Inline Gauge Isolator Needle Valve with Swivel Female Connection Type FT 290-05

Maximum Pressure 400 BAR/6000 PSI
Carbon Steel

Article no.	Size	Price £	Price €
206004	1/4"	£36.50	€37.70
Panel Mounting Nut			
207014		£2.60	€2.70



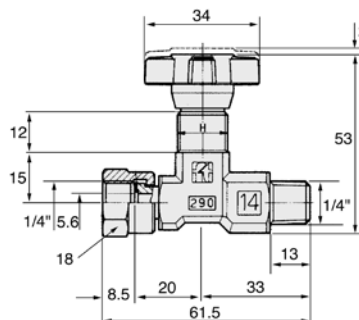
Features

- Swivel Gauge Thread 1/4" BSP Parallel with Nitril 'O' Ring Seal
- Swivel BSP Female System Connection (with 60° Cone)

Inline Gauge Isolator Needle Valve Stainless Steel (316) Type FT 2290

Maximum Pressure 400 BAR/6000 PSI
Stainless Steel (316)

Article no.	Size	Price £	Price €
94086	1/4"	£132.70	€136.80
940862	1/2"	£251.90	€259.70



Features

- Swivel Gauge Thread 1/4" BSP Parallel with Nitril 'O' Ring Seal
- Male System Thread BSP Taper