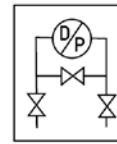
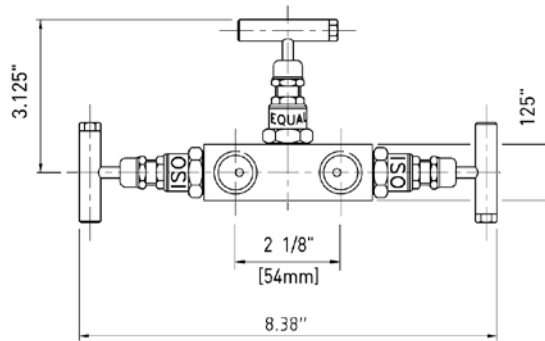


## Three Valve Manifolds

### Y33 Type

Remote mounting pipe to pipe.  
 Weight. 1.5kg  
 Width. 1.25"

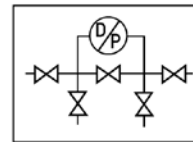
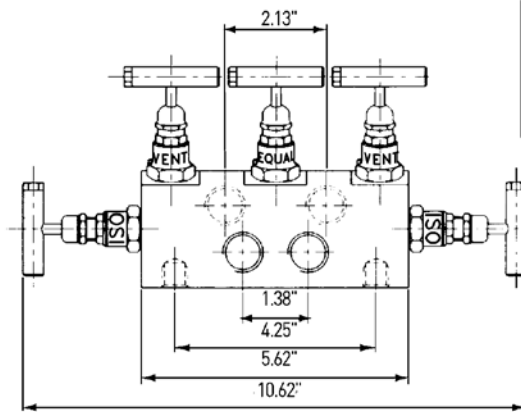


INSTRUMENTATION

## Five Valve Manifolds

### Y54 Type

Remote mounting pipe to pipe.  
 Weight. 2.3kg



We can also offer double block and bleed valves and manifolds