



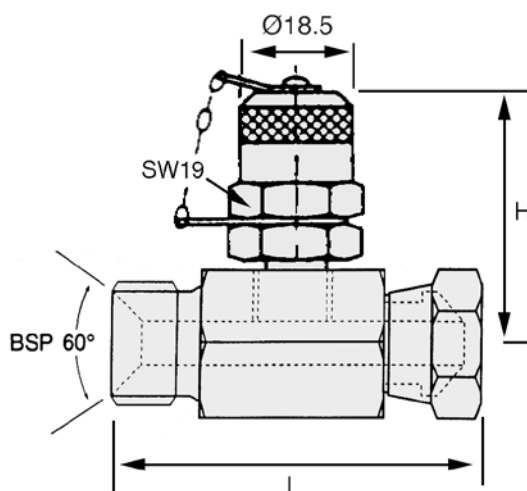
## Inline Pressure Test Points BSP Male x Female

### Test Point Connection M16x2 400 BAR Rated

Article no.	Size	PN – BAR	Price £	Price €
<b>340985</b>	1/4"	400	<b>£15.10</b>	<b>€18.10</b>
<b>340986</b>	3/8"	400	<b>£15.40</b>	<b>€18.50</b>
<b>340987</b>	1/2"	400	<b>£15.80</b>	<b>€18.90</b>
<b>340988</b>	3/4"	400	<b>£20.00</b>	<b>€24.00</b>
<b>340989</b>	1"	400	<b>£22.40</b>	<b>€26.90</b>

### Materials

Body	Steel
Seal	NITRIL - Others on Request
Temp. Range	-30 to +100°C



### Dimensions

	L	H
1/4"	50	45
3/8"	53	49
1/2"	60	50
3/4"	64	53
1"	66	58