

A-1200 Pressure Sensor

with IO-Link PNP or NPN Switching Output

Description

The model A-1200 is a pressure sensor without display that can be flexibly programmed via IO-Link and used in a variety of ways – whether for pressure monitoring or as an electronic PNP/NPN switch for process control.

Fast maintenance thanks to visual feedback

A 360° LED status display provides visual information about the sensor status. The green (OK), yellow (critical state) or red (error) signal enables intuitive and fast error detection and correction. For maintenance, a blinking function via IO-Link facilitates the clear localisation of a pressure sensor. Confusion is prevented and maintenance is accelerated.

Applications

- Machine tools
- Hydraulics and pneumatics
- Automation engineering
- Special-purpose machine building

Special features

- Industry 4.0-ready IO-Link sensor improves connectivity and diagnostics
- Designed for rough demands of up to 1,000 g shock and -40 ... +125 °C [-40 ... +257 °F]
- Optimised design makes OEM machine integration easier
- Multicolour 360° LED status display simplifies trouble-shooting and localisation



IO-Link



SWITCHES & TRANSMITTERS

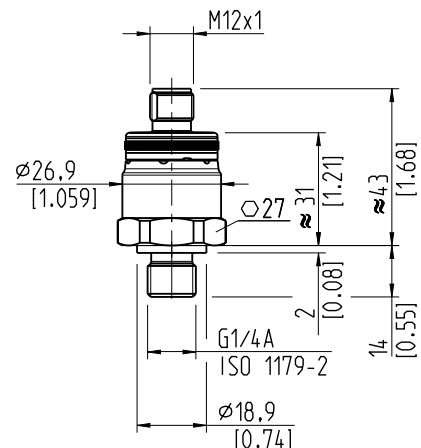
| | |
|------------------------|---|
| Connection orientation | Lower mount |
| Connection material | Stainless Steel |
| Output Signal | I-O Link plus one switching point |
| Accuracy | ±1% fsd |
| Electrical Connection | M12 x4pin |
| Ranges | 1/4" BSP (1/2" BSP available on request) |

| PRICE | £189.00 / €226.80 |
|----------------|-------------------|
| 0 ... 0.4 bar | 46971655 |
| 0 ... 0.6 bar | 46971656 |
| 0 ... 1 bar | 46971657 |
| 0 ... 1.6 bar | 46971658 |
| 0 ... 2.5 bar | 46971659 |
| 0 ... 4 bar | 46971660 |
| 0 ... 6 bar | 46971661 |
| 0 ... 10 bar | 46971662 |
| 0 ... 16 bar | 46971663 |
| 0 ... 25 bar | 46971664 |
| 0 ... 40 bar | 46971665 |
| 0 ... 60 bar | 46971666 |
| 0 ... 100 bar | 46971667 |
| 0 ... 160 bar | 46971669 |
| 0 ... 250 bar | 46971670 |
| 0 ... 400 bar | 46971672 |
| 0 ... 600 bar | 46971673 |
| PRICE | £112.00 / €134.40 |
| 0 ... 1000 bar | 46971674 |

| Optional features | Additional price per unit |
|-------------------------------------|---------------------------|
| Absolute & compound pressure ranges | OR |
| Additopnal switching point | £57.60 / €69.10 |
| Certificates | OR |
| Oil & grease free | £64.00 / €76.80 |
| Extended temp range | £160.00 / €192.00 |

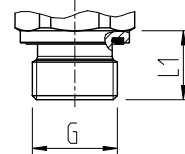
Dimensions

Circular connector M12 x 1 with LED status display



Weight: 60 ... 100 g [2.12 ... 3.53 oz]

DIN EN ISO 1179-2
(formerly DIN 3852-E)



| G | L1 |
|-------|-----------|
| G ¼ A | 14 [0.55] |
| G ½ A | 17 [0.67] |