

# Adjustable Pressure Switch – K5 Series

## Up to 600 BAR rated

K5 Adjustable Pressure switches provide an electrical signal once a set pressure value is reached. Adjustment is via a graduated knob which can be locked with a grub screw.

Mechanical stops protect both the spring & micro-switch from over-pressurisation.

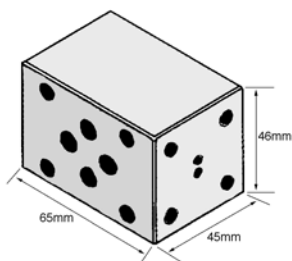
Article no.	Adjustable Pressure Range BAR	Max Pressure BAR	Price £	Price €
<b>K51.1</b>	0.2 - 2	12	<b>£137.50</b>	<b>€141.80</b>
<b>K51.2</b>	0.5 - 5	12	<b>£137.50</b>	<b>€141.80</b>
<b>K51.3</b>	1 - 10	15	<b>£137.50</b>	<b>€141.80</b>
<b>K51.4</b>	3 - 15	20	<b>£137.50</b>	<b>€141.80</b>
<b>K53P</b>	2 - 40	200	<b>£113.20</b>	<b>€116.70</b>
<b>K54P</b>	5 - 100	300	<b>£113.20</b>	<b>€116.70</b>
<b>K55P</b>	20 - 200	400	<b>£113.20</b>	<b>€116.70</b>
<b>K57P</b>	30 - 300	500	<b>£113.20</b>	<b>€116.70</b>
<b>K59P</b>	50 - 400	600	<b>£113.20</b>	<b>€116.70</b>
<b>B6</b>	CETOP 3	350	<b>£60.30</b>	<b>€62.20</b>
<b>B10</b>	CETOP 5	350	<b>£97.80</b>	<b>€100.80</b>

Screw driver adjustable on request

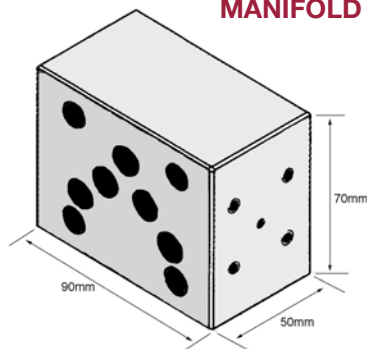
## Technical Features

Body	Anodised Aluminium
Connection	1/4" BSP Female or CETOP 3/5
Mounting	ANY orientation
Temp. Range	-20 to +80°C
Frequency	120 Cycles/min
Accuracy	±1% of Set Pressure
Fixed Hysteresis	15% of full scale reading
Weight	0.35Kg
Electrical Connection	DIN 43650
Weatherproof	IP65
Max. Contact Load	AC 250v (5 A) DC 250v (0.25 A)

### CETOP 3 MANIFOLD



### CETOP 5 MANIFOLD



With just one manifold it is possible to connect the outlet pressure to P, A or B. Made in anodized aluminium they can be used for a maximum working pressure of 350 Bar. They are supplied complete with screws to fix the pressure switch, plugs to close the pressure ports not in use and o-rings.



CE Ex II 3 G/D EEx e T6

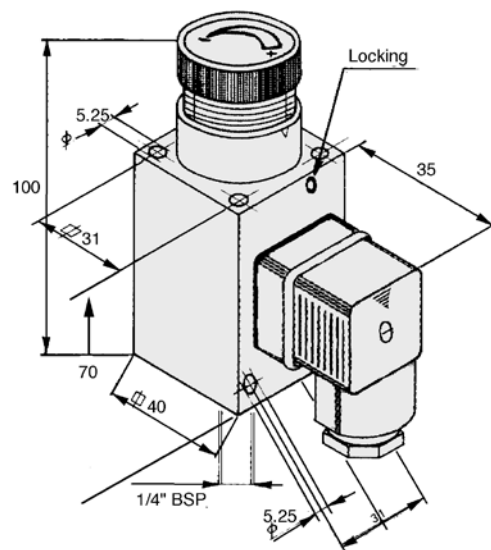


K5 P Execution with graduate knob

## Electrical connection



## Dimensions



SWITCHES & TRANSMITTERS