



## Brass Gate Valves - Art 156

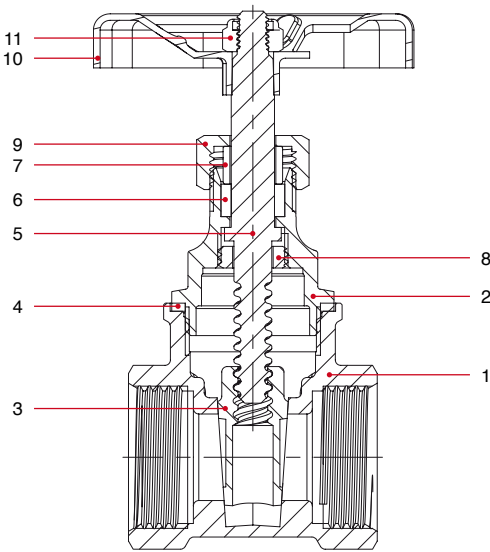


**Threads** - ISO 228 - Parallel  
- NPT

**Temperature** - 0 - 150°C (in absence of steam)

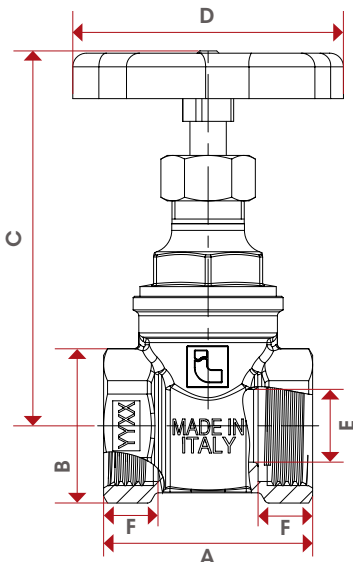
### PN16

Article no. BSPP	Article no. NPT	Size BSP	Max Pressure BAR	Price £	Price €
1560012	-	1/2"	16	£9.00	€9.20
1560034	-	3/4"	16	£12.60	€13.00
1560100	-	1"	16	£17.00	€17.50
1560114	-	1 1/4"	16	£22.50	€23.20
1560112	-	1 1/2"	16	£29.50	€30.40
1560200	-	2"	16	£44.10	€45.50
1560212	156N212	2 1/2"	16	£77.80	€80.20
1560300	156N300	3"	16	£106.40	€109.70
1560400	156N400	4"	16	£191.40	€197.40



### Materials

1	Body	Brass CW617N
	1/2" to 2"	Brass CC754S
	2 1/2" to 4"	
2	Bonnet	Brass CW617N
3	Disc	Brass CW617N
4	Washer	NA-1100
5	Stem	Brass CW617N
6	Packing-gland washer	FE1000
7	Packing-gland	Brass CW617N
8	Washer	Brass CW617N
9	Cap	Brass CW617N
10	Handle	Steel P11
11	Self-locking nut	Steel CL8



### Dimensions

	1/2"	3/4"	1"	1 1/4"	1 1/2"	2"	2 1/2"	3"	4"
<b>DN</b>	15	20	25	32	40	50	65	80	100
<b>A</b>	42	46	50	55	60	67	78	83	100
<b>B</b>	28	34	40.3	51.5	57	71.5	90	102.7	132.4
<b>C</b>	72	82	95.5	104.1	116.6	138.7	181.1	202.1	236.9
<b>D</b>	50	60	60	70	70	80	100	100	120
<b>E</b>	13	16	23	28	33	45	59	68	85
<b>F</b>	10	12	14	16	17	18	19	22	25.5
<b>Kg/cm2 bar</b>	16	16	16	16	16	16	16	16	16
<b>LBS - psi</b>	232	232	232	232	232	232	232	232	232