



Globe Valve - Series 154

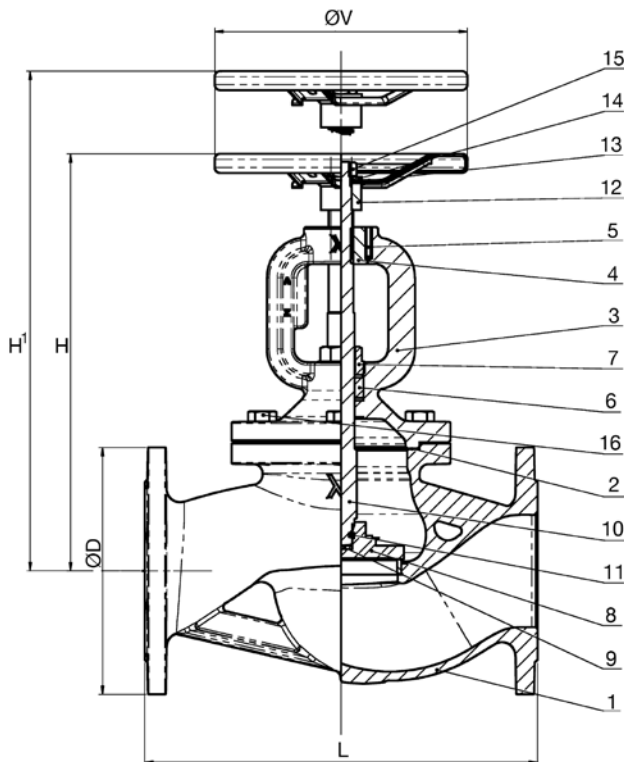
Nodular cast iron streamlined flow valve, outside screw, traditional type

Heat transfer system, thermal power stations, industrial boilers and tanks, district heating plants, diathermic oil installations.

Suitable for hot water and/or overheated water, steam, air diathermic fluids.



Article no.	Size	DN	Price £	Price €
MIV15404	1/2"	15	£188.30	€194.10
MIV15405	3/4"	20	£210.30	€216.90
MIV15406	1"	25	£249.30	€257.10
MIV15407	1 1/4"	32	£279.80	€288.60
MIV15408	1 1/2"	40	£298.50	€307.80
MIV15410	2"	50	£330.70	€341.10
MIV15412	2 1/2"	65	£449.40	€463.50
MIV15414	3"	80	£547.80	€564.90
MIV15418	4"	100	£753.00	€776.60
MIV15419	5"	125	£1,126.10	€1,161.30
MIV15420	6"	150	£1,534.90	€1,582.80
MIV15421	8"	200	£3,181.70	€3,281.10



Materials

1	Body	EN-GJS-400-18LT
2	Gaskets	Graphite + AISI 316
3	Yoke	EN-GJS-400-18LT
4	Mother Screw	Nodular Cast Iron
5	Stop Mother Screw Pin	Steel
6	Packing	Graphite
7	Gland	Galvanised Steel
8	Disc	Stainless Steel
9	Antifriction Disc	Stainless Steel
10	Stem	Stainless Steel
11	Elastic Ring	Stainless Steel
12	Handwheel	Pressed steel
13	Identification Plate	Aluminium
14	Stop Handwheel Plate	Galvanised Steel
15	Stop Handwheel Nut	Galvanised Steel
16	Screw	Galvanised Steel

Dimensions (mm)

DN	D	L	H	H'	V	Weight	Kv
	mm	mm	mm	mm	mm	Kg	m ³ /h
15	95	130	230	234	100	4.3	4.6
20	105	150	235	241	100	5.3	7.3
25	115	160	240	247	100	6.2	11.7
32	140	180	250	259	125	7.8	16.8
40	150	200	280	291	150	10.8	26.7
50	165	230	290	304	150	13.1	42.6
65	185	290	375	393	200	26.4	77.9
80	200	310	380	402	200	31	111
100	220	350	415	443	225	44.6	177
125	250	400	460	494	250	65.8	262
150	285	480	520	561	350	96.6	368