



SG Iron Bellows Seal Globe Valve

Article 64

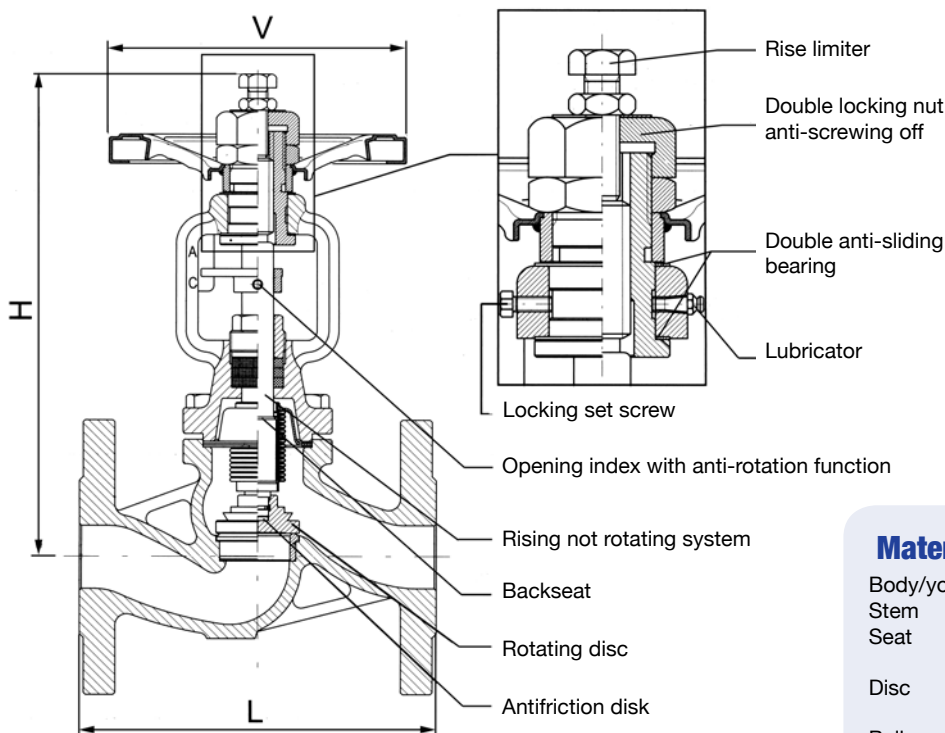
Nodular Cast Iron Bellows Valve PN16 rated

Article no.	Size	Price £	Price €
MIV6404	1/2"	£219.60	€226.50
MIV6405	3/4"	£255.00	€262.90
MIV6406	1"	£264.20	€272.40
MIV6407	1 1/4"	£316.40	€326.30
MIV6408	1 1/2"	£356.40	€367.50
MIV6410	2"	£416.30	€429.30
MIV6412	2 1/2"	£617.50	€636.80
MIV6414	3"	£705.00	€727.10
MIV6418	4"	£889.30	€917.10
MIV6419	5"	£1,364.00	€1,406.60
MIV6420	6"	£1,815.60	€1,872.30
MIV6421	8"	£3,571.20	€3,682.80
MIV6422	10"	£5,674.00	€5,851.30

Article 63

Nodular Cast Iron Bellows Valve PN25 rated

Article no.	Size	Price £	Price €
MIV6304	1/2"	£256.50	€264.50
MIV6305	3/4"	£270.30	€278.80
MIV6306	1"	£324.10	€334.20
MIV6307	1 1/4"	£367.10	€378.60
MIV6308	1 1/2"	£410.10	€422.90
MIV6310	2"	£474.60	€489.50
MIV6312	2 1/2"	£732.70	€755.60
MIV6314	3"	£869.40	€896.50
MIV6318	4"	£1,104.40	€1,138.90
MIV6319	5"	£1,560.60	€1,609.30
MIV6320	6"	£2,162.70	€2,230.30
MIV6321	8"	£5,062.70	€5,220.90



Materials

Body/yoke	EN-GJS-400-18-LT
Stem	X20 Cr13
Seat	DN 15 -125: X20 Cr13 DN 150 - 300: St52-3 + X5CrNi 18 10
Disc	DN 15 -100: X20 Cr13 DN 125 - 300: C22.8 + X5CrNi 18 10
Bellows	X6 CrNiTi 18 10
Gaskets	Graphite

Dimensions (mm)

DN	15	20	25	32	40	50	65	80	100	125	150	200	250	300
L	130	150	160	180	200	230	290	310	350	400	480	600	730	850
H	217	219	230	233	258	260	353	358	380	391	469	582	683	712
V	125	125	125	125	150	150	200	200	250	300	350	400	500	600
Kg	4	4.8	5.8	7.2	10	12	21	24	31	46	60	113	180	241
Kv	4.59	7.26	11.5	16.8	26.7	42.6	77.9	111	177	262	364	664	1044	1493