

# Electrically Actuated Stainless Steel Ball Valve

**1,000 PSI Rated**

Article no.	Size	Actuator Size	Price £	Price €
<b>399001*</b>	1/4"	HQ005	<b>£441.40</b>	<b>€529.70</b>
<b>399002*</b>	3/8"	HQ005	<b>£441.40</b>	<b>€529.70</b>
<b>399003*</b>	1/2"	HQ005	<b>£441.40</b>	<b>€529.70</b>
<b>399004*</b>	3/4"	HQ005	<b>£444.00</b>	<b>€532.80</b>
<b>399005*</b>	1"	HQ005	<b>£477.00</b>	<b>€572.40</b>
<b>399006*</b>	1 1/4"	HQ005	<b>£498.30</b>	<b>€598.00</b>
<b>399007*</b>	1 1/2"	HQ005	<b>£572.70</b>	<b>€687.20</b>
<b>399008*</b>	2"	HQ005	<b>£630.90</b>	<b>€757.10</b>
<b>399009*</b>	2 1/2"	HQ006	<b>£994.10</b>	<b>€1,192.90</b>
<b>399010*</b>	3"	HQ008	<b>£1,505.60</b>	<b>€1,806.70</b>

\* Suffix with:  
A = 220v AC  
B = 110v AC  
D = 24v DC  
Others on request

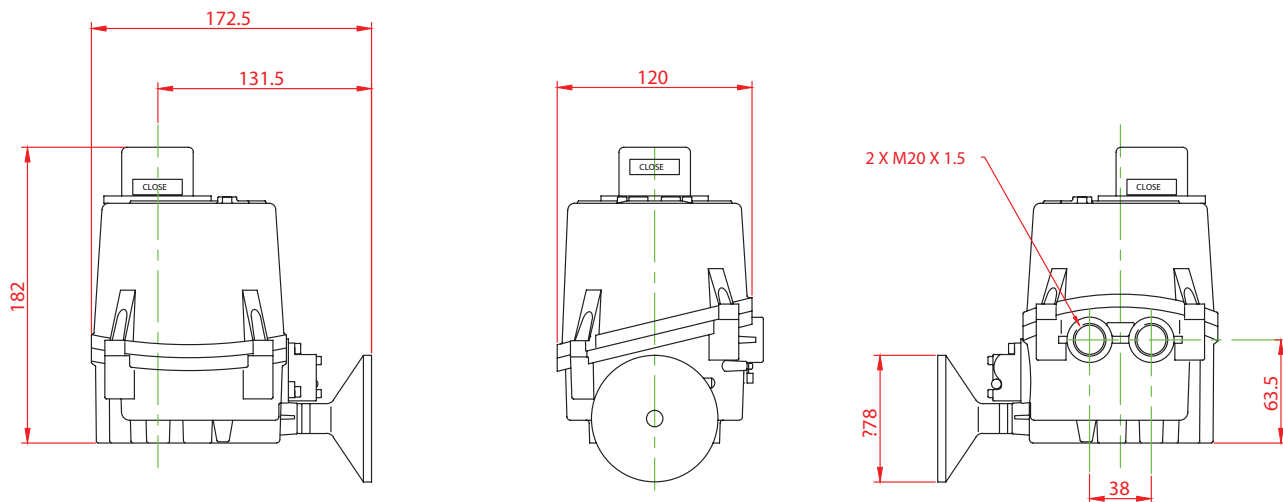


**ELECTRIC ACTUATED VALVES**

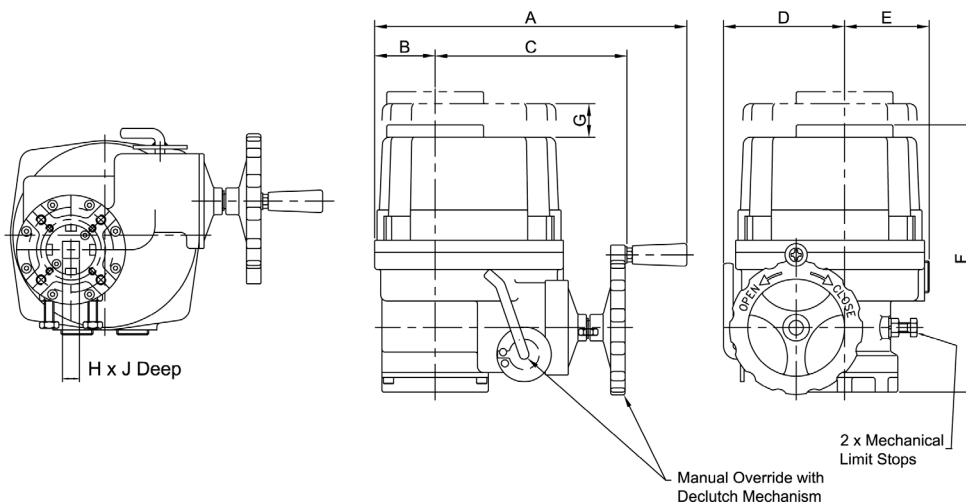
## Materials

Body	CF8M - 316 S/S
Ball	316 S/S
Stem Seal	PTFE
Ball Seal	PTFE
Temp. Range	+70°C*

## Dimensions (mm) - HQ005 Actuator



## Dimensions (mm) - HQ008 Actuator



Model	Base	A	B	C	D	E	F	G	H*	J
<b>HQ008</b>	F07	258	50	157	100	70	235	120	14	35

\* CAN BE MACHINED TO SUIT MOST VALVE STEMS (ON REQUEST)