



## Electrically Actuated 3 Piece Stainless Steel Ball Valve

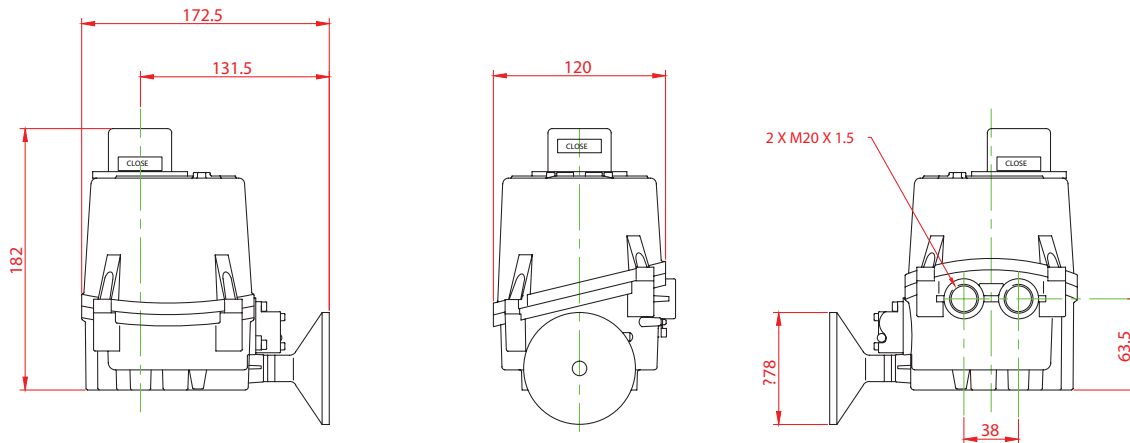
**1,000 PSI Rated - 1/4" to 2"**  
**800 PSI Rated - 2 1/2" to 4"**

Article no.		Size	Actuator Size	Valve bore (mm)	Price £	Price €
399021*		1/4"	HQ005	8	£459.60	€551.50
399022*	* Suffix with: A = 220v AC	3/8"	HQ005	10	£459.60	€551.50
399023*	B = 110v AC	1/2"	HQ005	15	£459.60	€551.50
399024*	D = 24v DC	3/4"	HQ005	20	£466.80	€560.10
399025*	Others on request	1"	HQ005	25	£504.50	€605.50
399026*		1 1/4"	HQ005	32	£548.60	€658.30
399027*		1 1/2"	HQ005	40	£640.10	€768.20
399028*		2"	HQ005	50	£717.50	€861.00
399029*		2 1/2"	HQ006	65	£1,242.70	€1,491.20
399030*		3"	HQ008	80	£1,743.10	€2,091.70
399031*		4"	HQ015	100	£2,570.80	€3,084.90

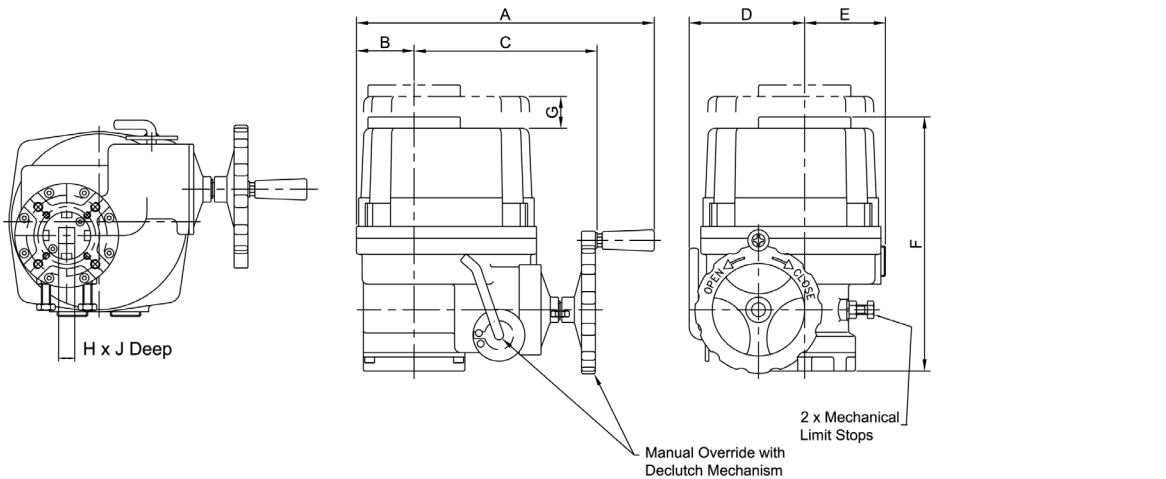
### Materials

Body	CF8M - 316 S/S
Ball	316 S/S
Stem Seal	RTFE
Ball Seal	RTFE
Temp. Range	+70°C*

### Dimensions (mm) - HQ005 Actuator



### Dimensions (mm) - HQ008 / HQ015 Actuator



MODEL	BASE	A	B	C	D	E	F	G	H*	J
HQ008	F07	258	50	157	100	70	235	120	14	35
HQ015	F07/F10	338	73	200	142	87	268	160	17	45

\* CAN BE MACHINED TO SUIT MOST VALVE STEMS (ON REQUEST)