

Electrically Actuated Butterfly Valve

10 - 16 BAR Rated

Wafer Pattern - S301E Series

Size	Actuator	Article no.	Price £	Price €
1/2"	HQ005	SIRWE040*	£428.40	€514.10
2"	HQ005	SIRWE050*	£437.00	€524.40
2 1/2"	HQ005	SIRWE065*	£446.30	€535.60
3"	HQ005	SIRWE080*	£463.40	€556.10
4"	HQ005	SIRWE100*	£495.50	€594.60
5"	HQ015	SIRWE125*	£1,257.80	€1,509.40
6"	HQ015	SIRWE150*	£1,271.40	€1,525.70
8"	HQ015	SIRWE200*	£1,356.40	€1,627.70
10"	HQ030	SIRWE250*	£1,798.50	€2,158.20
12"	HQ050	SIRWE300*	£2,102.90	€2,523.50

Voltages

* Suffix with:
A = 220v AC
B = 110v AC
D = 24v DC

Lugged - S301E Series for flanges BS4504 - PN16

Article no.	Price £	Price €
SIRLE040*	£434.20	€521.00
SIRLE050*	£442.00	€530.50
SIRLE065*	£449.20	€539.00
SIRLE080*	£462.00	€554.40
SIRLE100*	£492.70	€591.30
SIRLE125*	£1,271.40	€1,525.60
SIRLE150*	£1,290.70	€1,548.80
SIRLE200*	£1,379.20	€1,655.00
SIRLE250*	£1,860.20	€2,232.20
SIRLE300*	£2,204.60	€2,645.50

Voltages

* Suffix with:
A = 220v AC
B = 110v AC
D = 24v DC



Wafer pattern



Lugged

ELECTRIC ACTUATED VALVES

Materials - Wafer

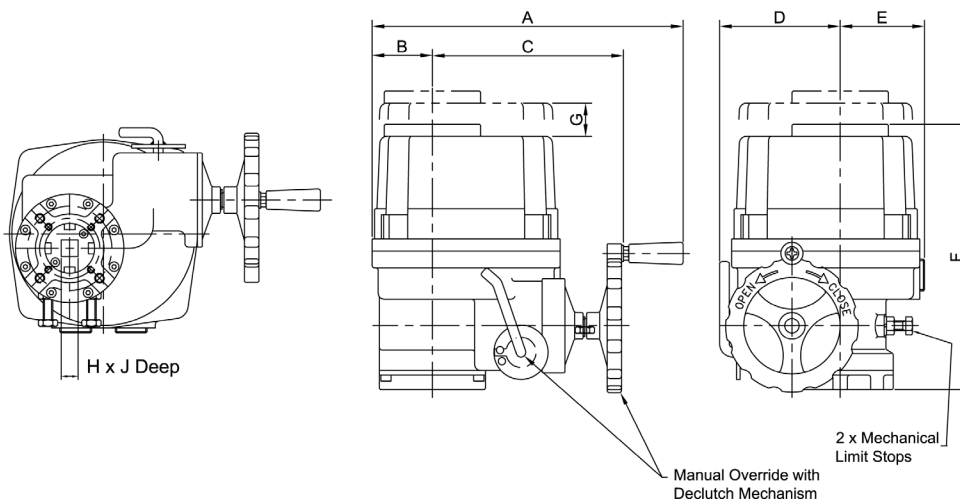
Body	Cast Iron GG25 Polyurethane Coated
Disc/shaft	316 Stainless Steel
Liner	EPDM (Nitril - On Request)
Temp. Range	+70°C
Flange Compatibility	BS4504 PN10/16 ANSI Class 150

Materials - Lugged

Body	Cast Iron GG25 Polyurethane Coated
Disc/shaft	316 Stainless Steel
Liner	EPDM (Nitril - On Request)
Temp. Range	+70°C
Flange Compatibility	BS4504 PN10/16

Dimensions - HQ005 Actuator - see previous page

Dimensions (mm) - HQ008 - HQ050 Actuator



MODEL	BASE	A	B	C	D	E	F	G	H*	J
HQ008	F07	258	50	157	100	70	235	120	14	35
HQ015	F07/F10	338	73	200	142	87	268	160	17	45
HQ020	F07/F10	338	73	200	142	87	268	160	17	45
HQ050	F10/F12	368	82	221	160	99	290	180	22	52

* CAN BE MACHINED TO SUIT MOST VALVE STEMS (ON REQUEST)