



2/2 Valves - Motorised Angle Seat Valves - ASCO 290 series

Stainless Steel Body - 3/8" to 3/4"



- High flow capability
- Anti-water hammer design
- LED indicators for valve status display
- Fail closed and proportional versions available
- Ready-to-use valve
- < 2W holding phase / Set point position
- Valve tight at closing position (FCI 70-2 class V)
- Electrical enclosure protection IP65
- Version for steam available

Electrical Characteristics

Connector	Spade plug (cable Ø 6-10mm)
Connector spec	ISO 4400 / EN175301-803, from A
Motor consumption	12 W in operation, 0 w hold Max. peak current: 0.7A
Visualisation valve (switching)	LED
Electrical safety (adapter AD to DC)	IEC 335 (EN-IEC 60730), class 2
Electrical enclosure protection	IP65 (EN 60529)
Standard voltages (EN-IEC 61131-2)	DC (=): 24V ±10%, max. ripple 5% AC (-): 110V to 250V / 50-60 Hz 24V to 48V ±10% / 50-60 Hz

Recommendation for max. duty cycle for NBR/PBT 'K' version

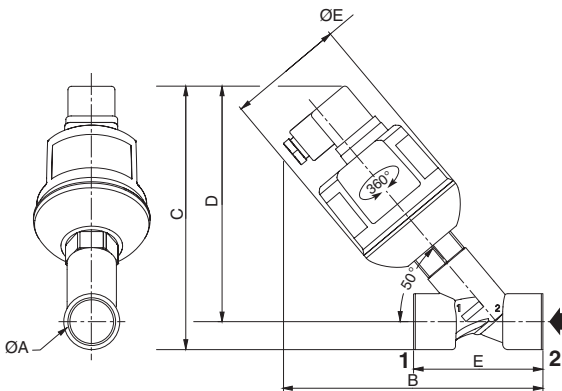
Ambient temperature	+20°C	9 cycles/min
	+50°C (max)	4 cycles/min

Technical Data

Differential pressure	Refer to selection table
Fluid temperature	-10°C to +90°C
Ambient temperature	-10°C to +50°C
Body	AISI 316L
Stuffing box housing	PBT, GF reinforced
Stem valve	AISI 316L
Stuffing box seal	NBR
Wiper Seal	NBR
Disc seal	NBR
Standard voltages	DC (=) 24 - 48V AC (-) 24 - 48 - 115 - 230V / 50Hz

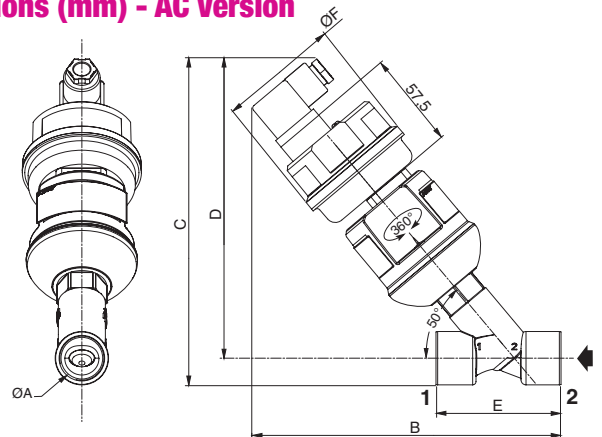
Article no.	Size	Diff. Pressure	Size	Price £	Price €
453400	3/8"	0 - 6 bar	24V DC	£415.30	€498.30
453401	3/8"	0 - 6 bar	110 - 230 AC	£751.30	€901.60
453402	3/8"	0 - 6 bar	24 - 48V AC	£751.30	€901.60
453403	1/2"	0 - 5 bar	24V DC	£415.30	€498.30
453404	1/2"	0 - 5 bar	110 - 230 AC	£751.30	€901.60
453405	1/2"	0 - 5 bar	24 - 48V AC	£751.30	€901.60
453406	3/4"	0 - 4 bar	24V DC	£415.30	€498.30
453407	3/4"	0 - 4 bar	110 - 230 AC	£751.30	€901.60
453408	3/4"	0 - 4 bar	24 - 48V AC	£751.30	€901.60

Dimensions (mm) - DC Version



ØA	B	C	D	E	ØF
3/8"	135	141	129	55	67
1/2"	142	145	131	65	67
3/4"	150	152	136	75	67

Dimensions (mm) - AC Version



ØA	B	C	D	E	ØF
3/8"	171	189	175	55	71
1/2"	178	191	177	65	71
3/4"	186	196	180	75	71